



30" (76.2 CM) AND 36" (91.4 CM) RANGE HOOD

Installation Instructions and Use & Care Guide

For questions about features, operation/performance, parts, accessories or service, call: **1-800-422-1230**

In Canada, for assistance, installation and service, call: **1-800-807-6777**

or visit our website at...

www.kitchenaid.com or www.kitchenaid.ca

HOTTE DE CUISINIÈRE 30" (76,2 CM) ET 36" (91,4 CM)

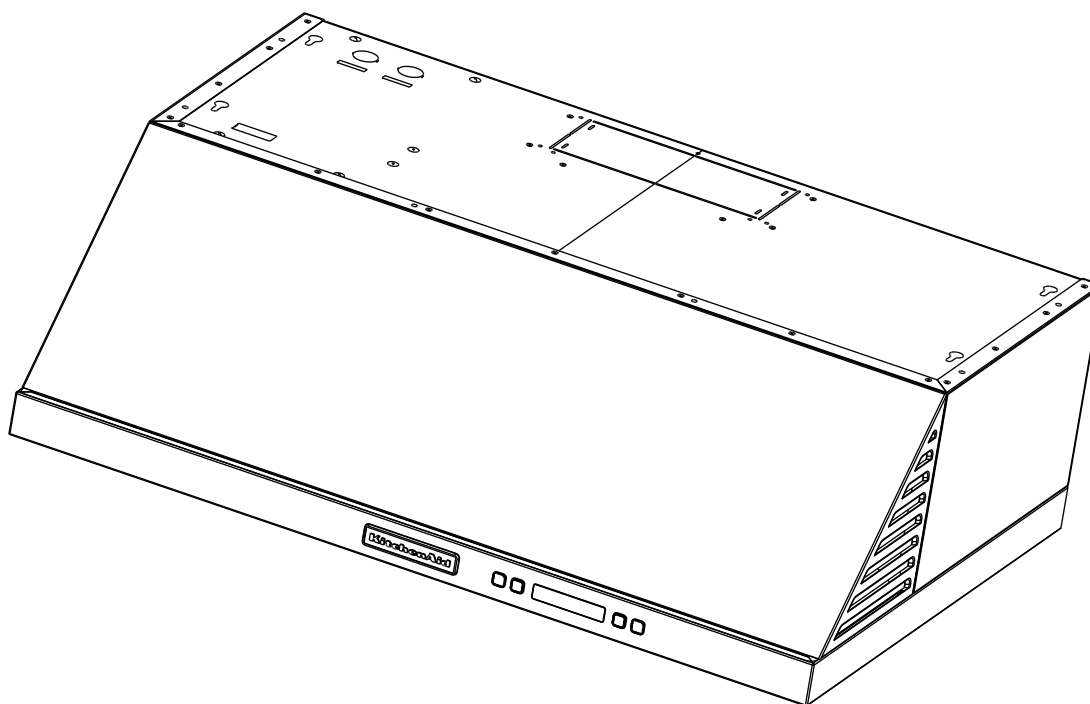
Instructions d'installation et Guide d'utilisation et d'entretien

Au Canada, pour assistance, installation ou service composez le **1-800-807-6777**

ou visitez notre site web à...

www.kitchenaid.ca

Table of Contents/Table des matières..... 2



IMPORTANT: READ AND SAVE THESE INSTRUCTIONS.

FOR RESIDENTIAL USE ONLY.

IMPORTANT : LIRE ET CONSERVER CES INSTRUCTIONS.

POUR UTILISATION RÉSIDENNELLE UNIQUEMENT.

TABLE OF CONTENTS

RANGE HOOD SAFETY	3
INSTALLATION REQUIREMENTS	5
Tools and Parts	5
Location Requirements	5
Venting Requirements	6
Electrical Requirements	8
INSTALLATION INSTRUCTIONS	8
Prepare Location	8
Install Range Hood	10
Make Electrical Connection	12
Complete Installation	12
RANGE HOOD USE	13
Display	13
Light	13
Timer	14
Fan Speed	14
RANGE HOOD CARE	14
Cleaning	14
WIRING DIAGRAM	16
ASSISTANCE OR SERVICE	17
In the U.S.A.	17
In Canada	17
Accessories	17
WARRANTY	18

TABLE DES MATIÈRES

SÉCURITÉ DE LA HOTTE DE CUISINIÈRE	19
EXIGENCES D'INSTALLATION	21
Outils et pièces	21
Exigences d'emplacement	21
Exigences concernant l'évacuation	22
Spécifications électriques	24
INSTRUCTIONS D'INSTALLATION	25
Préparation de l'emplacement	25
Installation de la hotte	27
Raccordement électrique	29
Achever l'installation	29
UTILISATION DE LA HOTTE	30
Affichage	30
Éclairage	31
Minuterie	31
Vitesse du ventilateur	31
ENTRETIEN DE LA HOTTE	32
Nettoyage	32
SCHÉMA DE CÂBLAGE	33
ASSISTANCE OU SERVICE	34
Au Canada	34
Accessoires	34
GARANTIE	35

RANGE HOOD SAFETY

Your safety and the safety of others are very important.

We have provided many important safety messages in this manual and on your appliance. Always read and obey all safety messages.



This is the safety alert symbol.

This symbol alerts you to potential hazards that can kill or hurt you and others.

All safety messages will follow the safety alert symbol and either the word "DANGER" or "WARNING."
These words mean:

! DANGER

You can be killed or seriously injured if you don't immediately follow instructions.

! WARNING

You can be killed or seriously injured if you don't follow instructions.

All safety messages will tell you what the potential hazard is, tell you how to reduce the chance of injury, and tell you what can happen if the instructions are not followed.

State of California Proposition 65 Warnings:

WARNING: This product contains one or more chemicals known to the State of California to cause cancer.

WARNING: This product contains one or more chemicals known to the State of California to cause birth defects or other reproductive harm.

IMPORTANT SAFETY INSTRUCTIONS

WARNING: TO REDUCE THE RISK OF FIRE, ELECTRIC SHOCK, OR INJURY TO PERSONS, OBSERVE THE FOLLOWING:

- Use this unit only in the manner intended by the manufacturer. If you have questions, contact the manufacturer.
- Before servicing or cleaning the unit, switch power off at service panel and lock the service disconnecting means to prevent power from being switched on accidentally. When the service disconnecting means cannot be locked, securely fasten a prominent warning device, such as a tag, to the service panel.
- Installation work and electrical wiring must be done by qualified person(s) in accordance with all applicable codes and standards, including fire-rated construction.
- Do not operate any fan with a damaged cord or plug. Discard fan or return to an authorized service facility for examination and/or repair.
- Sufficient air is needed for proper combustion and exhausting of gases through the flue (chimney) of fuel burning equipment to prevent backdrafting. Follow the heating equipment manufacturer's guideline and safety standards such as those published by the National Fire Protection Association (NFPA), the American Society for Heating, Refrigeration and Air Conditioning Engineers (ASHRAE), and the local code authorities.
- When cutting or drilling into wall or ceiling; do not damage electrical wiring and other utilities.
- Ducted fans must always be vented outdoors.

CAUTION: For general ventilating use only. Do not use to exhaust hazardous or explosive materials and vapors.

CAUTION: To reduce risk of fire and to properly exhaust air, be sure to duct air outside - do not vent exhaust air into spaces within walls or ceilings, attics or into crawl spaces, or garages.

WARNING: TO REDUCE THE RISK OF FIRE, USE ONLY METAL DUCTWORK.

WARNING: TO REDUCE THE RISK OF A RANGE TOP GREASE FIRE:

- Never leave surface units unattended at high settings. Boilovers cause smoking and greasy spillovers that may ignite. Heat oils slowly on low or medium settings.
- Always turn hood ON when cooking at high heat or when flambeing food (i.e. Crepes Suzette, Cherries Jubilee, Peppercorn Beef Flambé).
- Clean ventilating fans frequently. Grease should not be allowed to accumulate on fan or filter.
- Use proper pan size. Always use cookware appropriate for the size of the surface element.

WARNING: TO REDUCE THE RISK OF INJURY TO PERSONS IN THE EVENT OF A RANGE TOP GREASE FIRE, OBSERVE THE FOLLOWING:^a

- SMOTHER FLAMES with a close fitting lid, cookie sheet, or metal tray, then turn off the burner. BE CAREFUL TO PREVENT BURNS. If the flames do not go out immediately, EVACUATE AND CALL THE FIRE DEPARTMENT.
- NEVER PICK UP A FLAMING PAN - you may be burned.
- DO NOT USE WATER, including wet dishcloths or towels - a violent steam explosion will result.
- Use an extinguisher ONLY if:
 - You know you have a class ABC extinguisher, and you already know how to operate it.
 - The fire is small and contained in the area where it started.
 - The fire department is being called.
 - You can fight the fire with your back to an exit.

^aBased on "Kitchen Fire Safety Tips" published by NFPA.

- **WARNING:** To reduce the risk of fire or electrical shock, do not use this fan with any solid-state speed control device.

READ AND SAVE THESE INSTRUCTIONS

INSTALLATION REQUIREMENTS

Tools and Parts

Gather the required tools and parts before starting installation. Read and follow the instructions provided with any tools listed here.

Tools needed

- Drill
- 1¼" (3.2 cm) drill bit
- ⅛" (3.2 mm) drill bit for pilot holes
- Pencil
- Wire stripper or utility knife
- Tape measure or ruler
- Caulking gun and weatherproof caulking compound
- Flat-blade screwdriver
- Phillips screwdriver

For vented installations, you also need:

- Saber or keyhole saw
- Vent clamps
- Metal snips
- Compass or 8" (20.3 cm) circle template

Parts supplied

Remove parts from package. Check that all parts are included.

- 2 - Metal filters for 30" (76.2 cm) model
- 2 - Metal filters for 36" (91.4 cm) model
- 6 - 4.5 x 13 mm mounting screws
- 3 - 4 x 8 mm damper screws
- 3¼" x 10" (8.3 x 25.4 cm) damper/vent connector
- 4 - 5 x 45 mm screws
- 4 - 8 x 40 mm wall anchors
- Recirculating kit
- Charcoal filters for non-vented (recirculating) installations. See the "Assistance or Service" section to order replacement filters.

Parts needed

- Home power supply cable
- ½" (12.7 mm) UL listed or CSA approved strain relief
- 3 - UL listed wire connectors

For vented installations:

- 3¼" x 10" (8.3 x 25.4 cm) or 6" (15.2 cm) or larger round metal venting
- 6" (15.2 cm) or larger round damper, if using 6" (15.2 cm) or larger round vent system
- 3¼" x 10" (8.3 x 25.4 cm) to 6" (15.2 cm) or larger diameter transition piece if using 6" (15.2 cm) or larger diameter round vent system
- 1 - wall or roof cap

For cabinets with recessed bottoms:

- 2 - 2" (5.1 cm) wide filler strips. Length and thickness determined by recess dimensions.
- 4 - flat-head wood screws or machine screws with washers and nuts (to attach filler strips).

Location Requirements

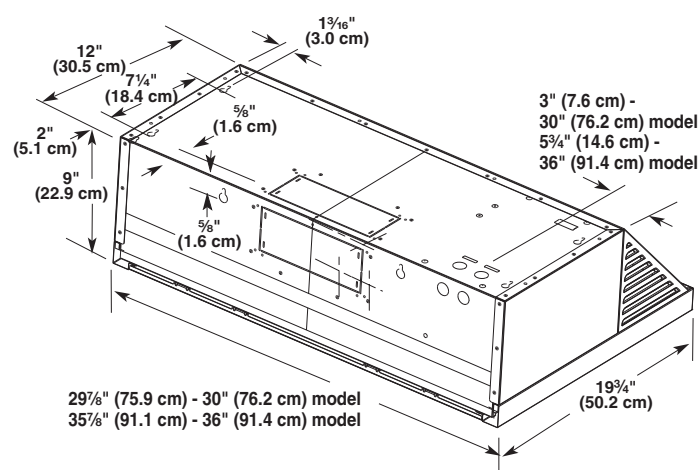
IMPORTANT: Observe all governing codes and ordinances.

- It is the installer's responsibility to comply with installation clearances specified on the model/serial rating plate. The model/serial rating plate is located inside the range hood on the left wall.
- Range hood location should be away from strong draft areas, such as windows, doors and strong heating vents.
- Cabinet opening dimensions that are shown must be used. Given dimensions provide minimum clearance. Consult the cooktop/range manufacturer installation instructions before making any cutouts.
- Grounded electrical outlet is required. See "Electrical Requirements" section.
- The hood is factory-set for vented installations. For non-vented (recirculating) installations, the Recirculation Kit is included. See the "Assistance or Service" section to order Replacement Charcoal Filters Part Number W10272068.
- All openings in ceiling and wall where range hood will be installed must be sealed.

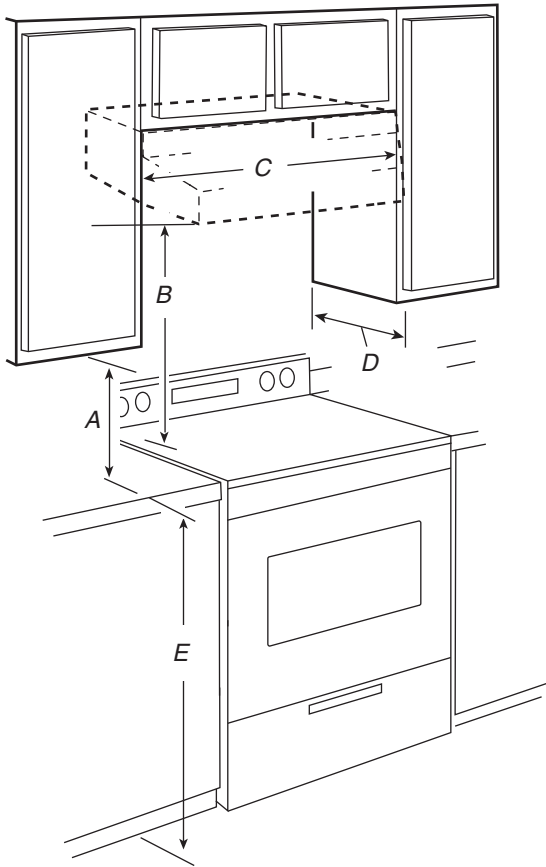
For Mobile Home Installations

The installation of this range hood must conform to the Manufactured Home Construction Safety Standards, Title 24 CFR, Part 328 (formerly the Federal Standard for Mobile Home Construction and Safety, title 24, HUD, Part 280) or when such standard is not applicable, the standard for Manufactured Home Installation 1982 (Manufactured Home Sites, Communities and Setups) ANSI A225.1/NFPA 501A, or latest edition, or with local codes.

Product Dimensions



Installation Clearances



- A. 18" (45.7 cm) min. clearance - upper cabinet to countertop
- B. 24" (61.0 cm) min. for electric cooking surfaces
27" (68.6 cm) min. for gas cooking surfaces
30" (76.2 cm) suggested max. - bottom of range hood to cooking surface
- C. 30" (76.2 cm) or 36" (91.4 cm) min. cabinet opening width
- D. 13" (33.0 cm) cabinet depth
- E. 36" (91.4 cm) base cabinet height

Venting Requirements (Vented Models Only)

- Vent system must terminate to the outdoors, except for non-vented (recirculating) installations.
- Do not terminate the vent system in an attic or other enclosed area.
- Do not use a 4" (10.2 cm) laundry-type wall cap.
- Use a 6" (15.2 cm) or larger round metal vent or a 3¼" x 10" (8.3 x 25.4 cm) rectangular metal vent. Rigid metal vent is recommended. Plastic or metal foil vent is not recommended.
- The length of vent system and number of elbows should be kept to a minimum to provide efficient performance.

For the most efficient and quiet operation:

- Use no more than three 90° elbows.
- Make sure there is a minimum of 24" (61 cm) of straight vent between the elbows if more than 1 elbow is used.
- Do not install 2 elbows together.

- Use clamps to seal all joints in the vent system.
- The vent system must have a damper. If roof or wall cap has a damper, do not use damper supplied with the range hood.
- Use caulking to seal exterior wall or roof opening around the cap.

Cold Weather Installations

An additional back draft damper should be installed to minimize backward cold air flow and a thermal break should be installed to minimize conduction of outside temperatures as part of the vent system. The damper should be on the cold air side of the thermal break.

The break should be as close as possible to where the vent system enters the heated portion of the house.

Makeup Air

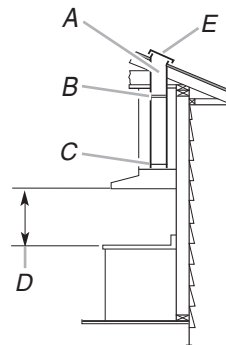
Local building codes may require the use of makeup air systems when using ventilation systems greater than specified CFM of air movement. The specified CFM varies from locale to locale. Consult your HVAC professional for specific requirements in your area.

Venting Methods

Vent system can terminate either through the roof or wall. Use 3¼" x 10" (8.3 x 25.4 cm) with a maximum vent length of 35 ft (10.7 m) or 6" (15.2 cm) or larger round vent with a maximum length of 50 ft (15.2 m) for vent system.

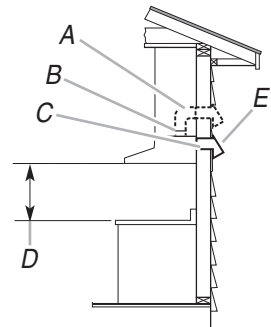
NOTE: Flexible vent is not recommended. Flexible vent creates back pressure and air turbulence that gently reduces performance.

Roof Venting



- A. 6" (15.2 cm) or larger round vent or a 3¼" x 10" (8.3 x 25.4 cm) rectangular vent through roof
- B. Round vent: use 6" (15.2 cm) or larger round damper (purchased separately)
- C. Round vent: use 3¼" x 10" (8.3 x 25.4 cm) to 6" (15.2 cm) or larger diameter transition piece (purchased separately)
- D. 24" (61.0 cm) - 30" (76.2 cm) above electric cooking surface
27" (68.6 cm) - 30" (76.2 cm) above gas cooking surface
- E. Roof cap

Wall Venting




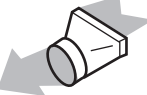
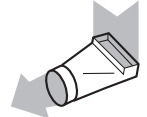


- A. 6" (15.2 cm) or larger round vent or a 3¼" x 10" (8.3 x 25.4 cm) rectangular vent through the wall
- B. Round vent: use 3¼" x 10" (8.3 x 25.4 cm) to 6" (15.2 cm) or larger diameter transition piece (purchased separately)
- C. 3¼" x 10" (8.3 x 25.4 cm) through the wall
- D. 24" (61.0 cm) - 30" (76.2 cm) above electric cooking surface
27" (68.6 cm) - 30" (76.2 cm) above gas cooking surface
- E. Wall cap

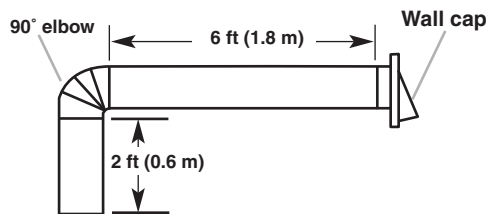
Calculating Vent System Length

To calculate the length of the system you need, add the equivalent feet (meters) for each vent piece used in the system.

6" (15.2 cm) or Larger Round Vent System

Vent Piece	Round	
45° elbow	2.5 ft (0.8 m)	
90° elbow	5.0 ft (1.5 m)	
6" (15.2 cm) or larger wall cap	0.0 ft (0.0 m)	
3 1/4" x 10" (8.3 cm x 25.4 cm) to 6" (15.2 cm) or larger	4.5 ft (1.4 m)	
3 1/4" x 10" (8.3 cm x 25.4 cm) to 6" (15.2 cm) or larger 90° elbow	5.0 ft (1.5 m)	

Example vent system



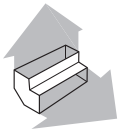
Maximum Recommended Length = 50 ft (15.2 m)

1 - 90° elbow	= 5.0 ft (1.5 m)
1 - wall cap	= 0.0 ft (0.0 m)
8 ft (2.4 m) straight	= 8.0 ft (2.4 m)
Length of 7" (17.8 cm) system	= 13.0 ft (3.9 m)

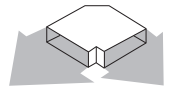
3 1/4" x 10" (8.3 cm x 25.4 cm) Vent System

Vent Piece

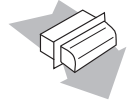
3 1/4" x 10" (8.3 cm x 25.4 cm) 90° elbow = 5.0 ft (1.5 m)



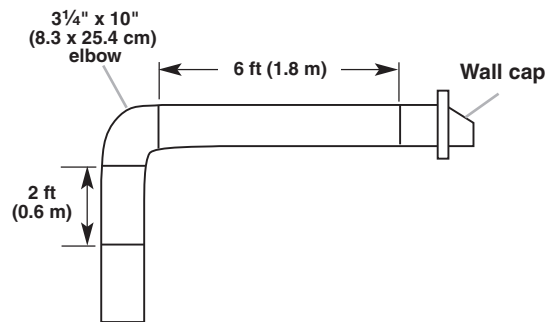
3 1/4" x 10" (8.3 cm x 25.4 cm) flat elbow = 12.0 ft (3.7 m)



3 1/4" x 10" (8.3 cm x 25.4 cm) wall cap = 0.0 ft (0.0 m)



Example vent system



Maximum Recommended Length = 35 ft (10.7 m)

1 - 90° elbow	= 5.0 ft (1.5 m)
8 ft (2.4 m) straight	= 8.0 ft (2.4 m)
1 - wall cap	= 0.0 ft (0.0 m)
Length of 3 1/4" x 10" (8.3 cm x 25.4 cm) system	= 13.0 ft (3.9 m)

Electrical Requirements

Observe all governing codes and ordinances.

Ensure that the electrical installation is adequate and in conformance with National Electrical Code, ANSI/NFPA 70 (latest edition), or CSA Standards C22.1-94, Canadian Electrical Code, Part 1 and C22.2 No. 0-M91 (latest edition) and all local codes and ordinances.

If codes permit and a separate ground wire is used, it is recommended that a qualified electrician determine that the ground path is adequate.

A copy of the above code standards can be obtained from:

National Fire Protection Association
1 Batterymarch Park
Quincy, MA 02169-7471

CSA International
8501 East Pleasant Valley Road
Cleveland, OH 44131-5575

- A 120 volt, 60 Hz., AC only, 15-amp, fused electrical circuit is required.

- If the house has aluminum wiring, follow the procedure below:

1. Connect a section of solid copper wire to the pigtail leads.
2. Connect the aluminum wiring to the added section of copper wire using special connectors and/or tools designed and UL listed for joining copper to aluminum.

Follow the electrical connector manufacturer's recommended procedure. Aluminum/copper connection must conform with local codes and industry accepted wiring practices.

- Wire sizes and connections must conform with the rating of the appliance as specified on the model/serial rating plate. The model/serial plate is located behind the filter on the rear wall of the range hood.
- Wire sizes must conform to the requirements of the National Electrical Code, ANSI/NFPA 70 (latest edition), or CSA Standards C22.1-94, Canadian Electrical Code, Part 1 and C22.2 No. 0-M91 (latest edition) and all local codes and ordinances.

INSTALLATION INSTRUCTIONS

Prepare Location

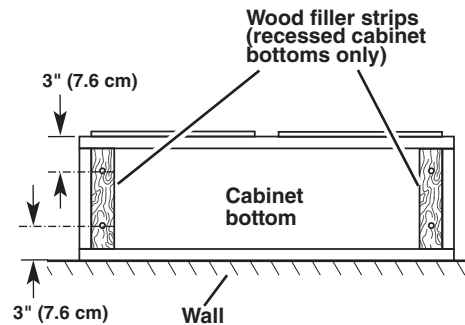
NOTE: For vented installations, it is recommended that the vent system be installed before hood is installed.

Before making cutouts, make sure there is proper clearance within the ceiling or wall for exhaust vent.

NOTE: The exhaust adapter/damper can be installed up to 1" (2.5 cm) on either side of the hood center to accommodate off-center ductwork.

1. Disconnect power.
2. Determine which venting method to use: roof or wall.
3. Select a flat surface for assembling the range hood. Place covering over that surface.

5. If cabinet has recessed bottom, add wood filler strips on each side. Install screws to attach filler strips in locations shown.



⚠ WARNING

Excessive Weight Hazard

Use two or more people to move and install range hood.

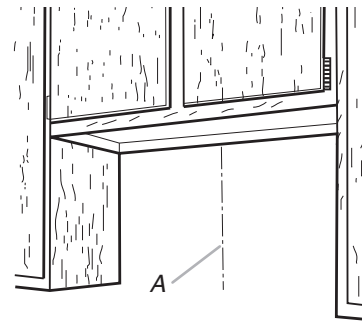
Failure to do so can result in back or other injury.

4. Using 2 or more people, lift the range hood and set it upside down onto covered surface.

Determine Wiring Hole Location

Cut only one 1¼" (3.2 cm) diameter wiring access hole. See Step 2 for wiring hole location instructions.

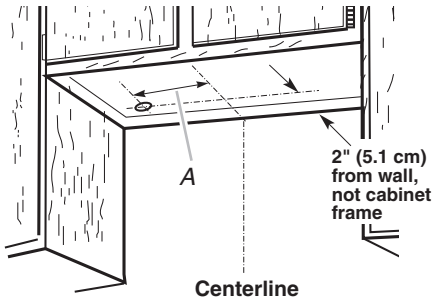
1. Determine and clearly mark a vertical centerline on the wall and cabinet in the area the vent opening will be made.



A. Centerline

2. To wire through top:

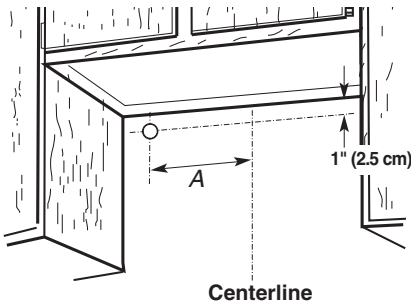
Mark a line distance "A" from the left of the centerline on the underside of the cabinet. Mark the point on this line that is 2" (5.1 cm) from back wall. Drill a 1/4" (3.2 cm) diameter hole through the cabinet at this point.



A. 12" (30.5 cm) for 30" (76.2 cm) models
12 1/4" (31.1 cm) for 36" (91.4 cm) models

3. To wire through wall:

Mark a line distance "A" from the left of the centerline on the wall. Mark the point on this line that is 1" (2.5 cm) from the bottom of the cabinet. Drill a 1/4" (3.2 cm) diameter hole through the rear wall at this point.

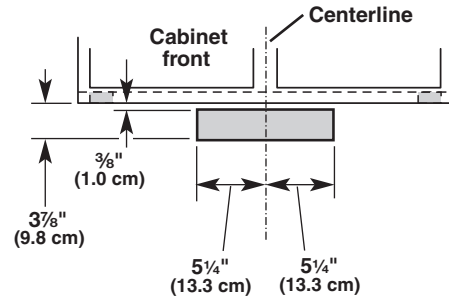


A. 12" (30.5 cm) for 30" (76.2 cm) models
12 1/4" (31.1 cm) for 36" (91.4 cm) models

Wall Venting

To make a 3 1/2" x 10 1/2" (8.9 cm x 26.7 cm) rectangle in the wall:

1. Make 2 lines by measuring 3/8" (1.0 cm) and 3 7/8" (9.8 cm) down from underside of cabinet and mark on the centerline on the back wall.
2. Mark lines 5 1/4" (13.3 cm) to the right and left of the centerline on the wall.
3. Use saber or keyhole saw to cut a rectangular opening in the wall for the vent.

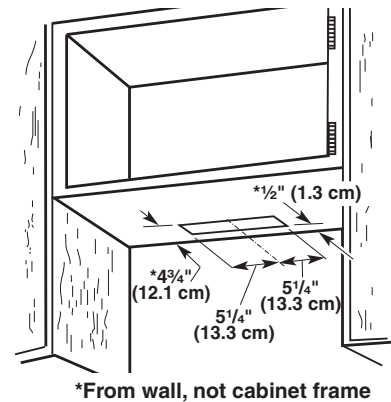


Style 2 - Cut Openings for 3 1/4" x 10" (8.3 x 25.4 cm) Rectangular Vent to Round Vent Transition

Roof Venting

To make a 4 1/4" x 10 1/2" (10.8 cm x 26.7 cm) rectangular cutout on the underside of cabinet bottom:

1. Mark lines 1/2" (1.3 cm) and 4 3/4" (12.1 cm) from the back wall on the centerline of the underside of cabinet.
2. Mark lines 5 1/4" (13.3 cm) to the right and left of the centerline on the underside of cabinet.
3. Use saber or keyhole saw to cut a rectangular opening for vent.



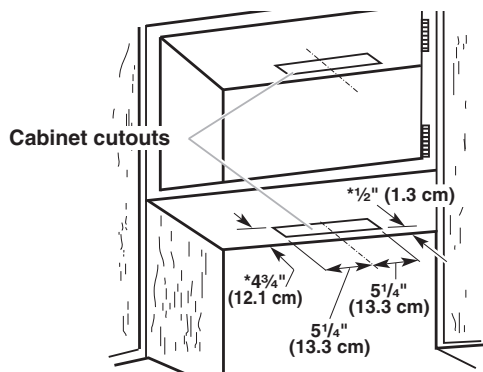
*From wall, not cabinet frame

Style 1 - Cut Openings for 3 1/4" x 10" (8.3 cm x 25.4 cm) Rectangular Vent System

Roof Venting

To make a 4 1/4" x 10 1/2" (10.8 cm x 26.7 cm) rectangular cutout on the underside of cabinet top and bottom:

1. Mark lines 1/2" (1.3 cm) and 4 3/4" (12.1 cm) from the back wall on the centerline of the underside of cabinet.
2. Mark lines 5 1/4" (13.3 cm) to the right and left of the centerline on the underside of cabinet.
3. Use saber or keyhole saw to cut a rectangular opening for vent.
4. Repeat steps 1-3 for the underside of the top of the cabinet.

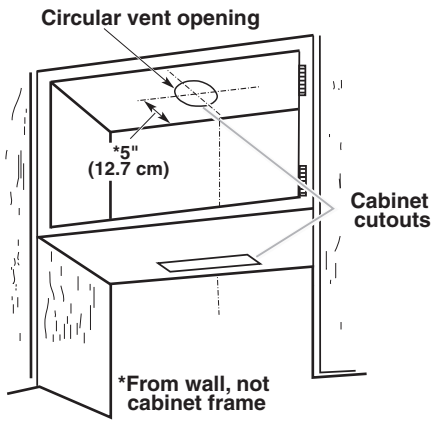


*From wall, not cabinet frame

To make a circular vent opening on the underside of the cabinet top:

1. Mark a centerline on the underside of the top of cabinet.
2. Mark a line 5" (12.7 cm) from the back wall on the underside of the top of cabinet.
3. Use a compass or a circle template to draw a circle with a diameter that is 1/4" (0.64 cm) larger than the vent.

- Use saber or keyhole saw to cut the circular vent opening.

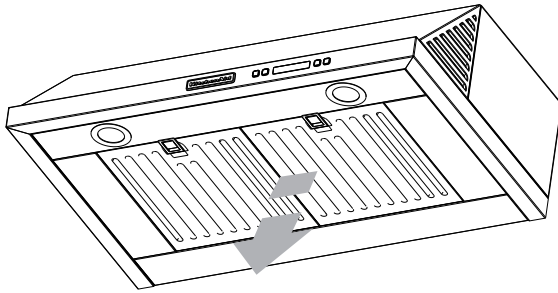


Install Vent System

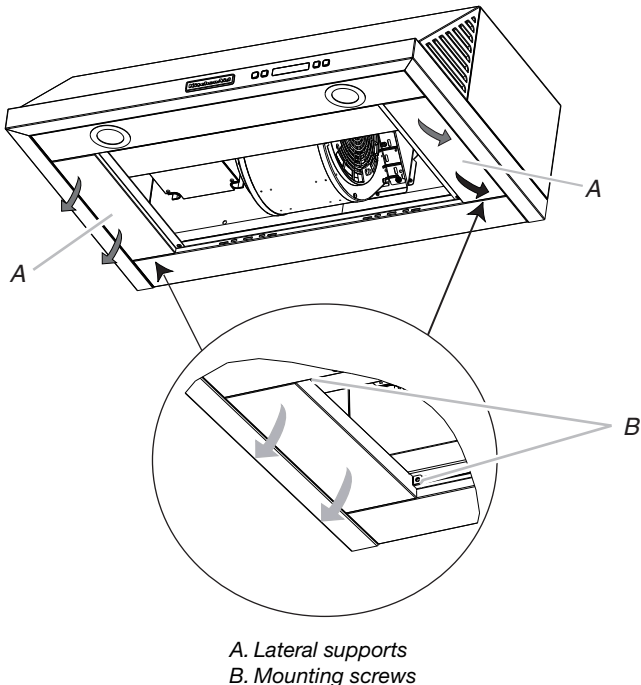
- Install vent through the vent opening in upper cabinet or wall. Complete venting system according to the selected venting method. See "Venting Requirements" section.
- Use caulking to seal exterior wall or roof opening around the cap.

Install Range Hood

- Remove the grease filters. See the "Range Hood Care" section.

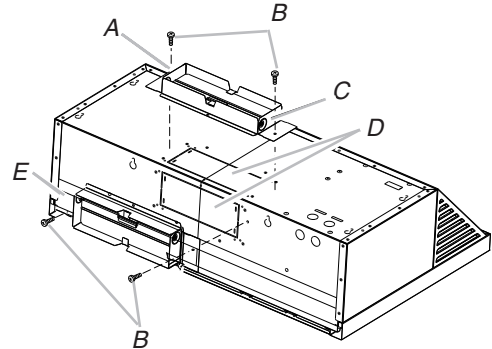


- Remove mounting screws and lateral supports.



For vented installations:

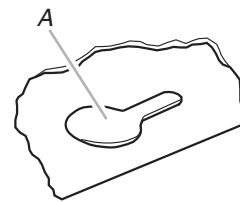
- Depending on your installation, remove either top or rear rectangular vent knockout.
- NOTE:** Do not remove rectangular knockouts if installation of range hood is to be non-venting (recirculating).
- Make sure damper pivot is nearest to top/back edge of range hood.
- Remove tape from damper flap.
- NOTE:** The exhaust adapter/damper can be installed up to 1" (2.5 cm) on either side of the hood center to accommodate off-center ductwork.
- If using rectangular vent, attach rectangular damper/vent connectors to the range hood using sheet metal screws.



- If using round vent, attach vent transition piece (purchased separately) to range hood top using sheet metal screws.

NOTE: If the wall cap is directly behind the vent connector, the dampers in the connector and wall cap must not interfere with each other. Remove the vent connector damper if they interfere.

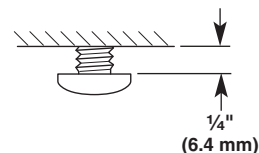
- Lift the range hood up under cabinet and determine final location by centering beneath cabinet. Mark on the underside of cabinet the location of the 4 keyhole mounting slots on the range hood. Set range hood aside on a covered surface.



- Use 1/8" (3 mm) drill bit and drill 4 pilot holes as shown.

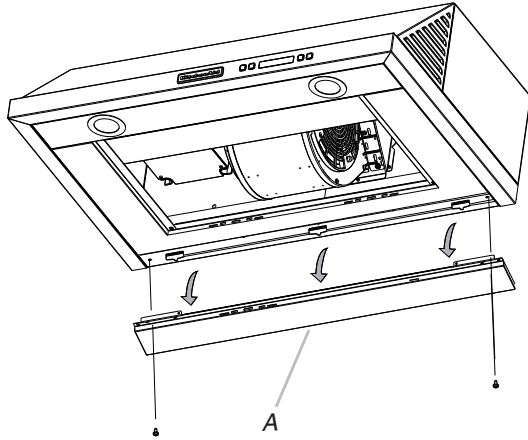


- Install the 4 - 4.5 x 13 mm mounting screws in pilot holes. Leave about 1/4" (6.4 mm) space between screw heads and cabinet to slide range hood into place.



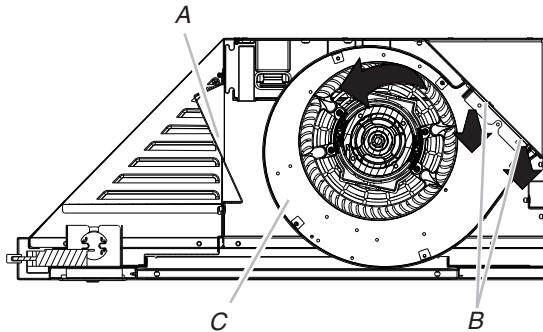
For non-vented (recirculating) installations, the blower position must be changed:

- Remove screws and rear support.



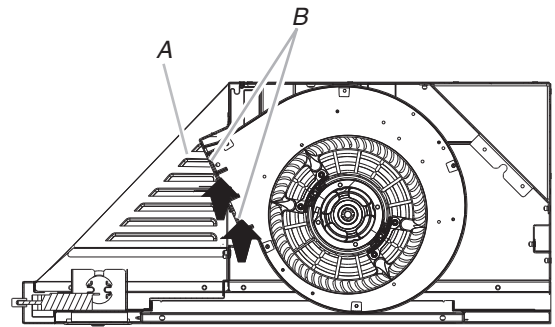
A. Rear support

- Remove the blower mounting screws. Push up on the blower to detach the blower from the mounting plate.
- Remove the vent knockout from the front mounting plate.



A. Front mounting plate knockout
B. Blower mounting screws
C. Blower

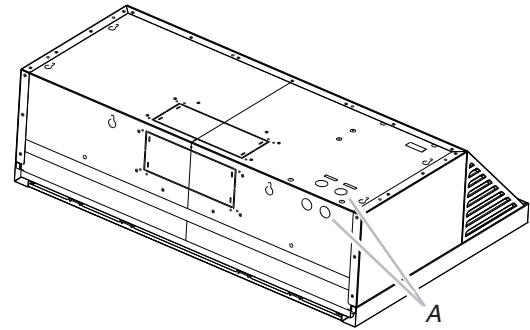
- Rotate the blower and attach to front mounting plate. Install the blower mounting screws.



A. Blower mounting screws
B. Front mounting plate

- Install charcoal filters. See the "Range Hood Care" section.

6. Remove the round knockout from the top or back of the range hood (depending on your wiring location) for the wiring strain relief and install a 1/2" UL listed or CSA approved strain relief.



A. Round knockout

7. Using 2 people, lift range hood into final location. Feed enough electrical wire through the strain relief to make connections in the terminal box. Tighten the strain relief screws.
8. Position the range hood so that the large end of the keyhole slots are over the mounting screws. Then push the hood toward the wall so that the screws are in the neck of the slots. The hood should be against the wall. Tighten the mounting screws, making sure mounting screws are in the narrow neck of the slots.
9. Check that damper, if used, rotates up and down freely.

Make Electrical Connection

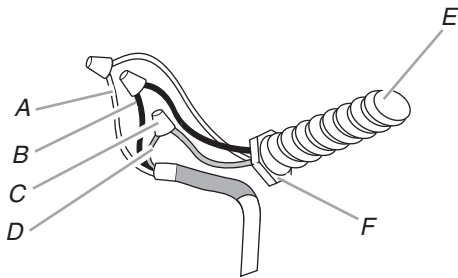
⚠ WARNING



Electrical Shock Hazard

Disconnect power before servicing.
Replace all parts and panels before operating.
Failure to do so can result in death or electrical shock.

1. Disconnect power.



- A. White wires
- B. Black wires
- C. UL listed wire connectors
- D. Green (or bare) and yellow-green ground wire
- E. Home power supply cable
- F. UL listed or CSA approved 1/2" strain relief

2. Use UL listed wire connectors and connect the black wires (B) together.

3. Use UL listed wire connectors and connect the white wires (A) together.

⚠ WARNING



Electrical Shock Hazard

Electrically ground blower.
Connect ground wire to green and yellow ground wire in terminal box.
Failure to do so can result in death or electrical shock.

4. Connect green (or bare) ground wire from home power supply to the yellow-green ground wire (D) in the terminal box using UL listed wire connector.
5. Install terminal box cover.
6. Reinstall the rear support.
7. Reinstall the 2 lateral supports.
8. Check that all light bulbs are secure in their sockets.
9. Reconnect power.

For Vented Installations Only:

- Connect ventwork to hood. Seal joints with clamps to make secure and airtight.

Complete Installation

1. Replace grease filters. See the "Range Hood Care" section.
2. Check the operation of the range hood fan and light. See "Range Hood Use" section.

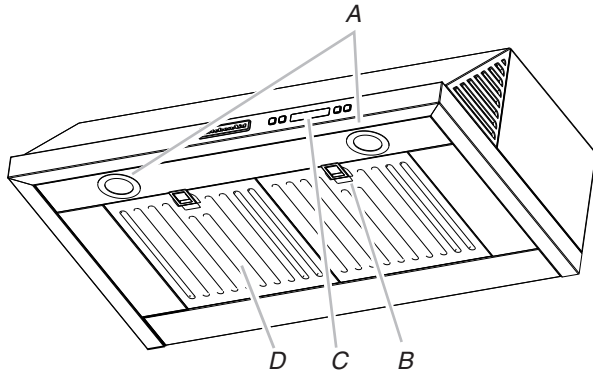
If range hood does not operate, check to see whether a circuit breaker has tripped or a household fuse has blown. Disconnect power and check wiring connections.

NOTE: To get the most efficient use from your new range hood, read the "Range Hood Use" section.

RANGE HOOD USE

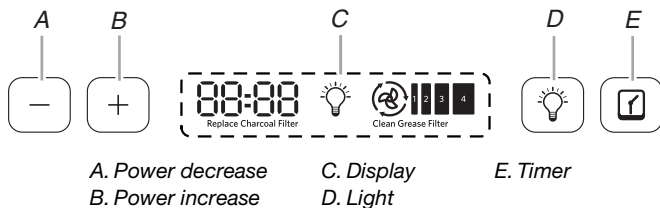
The range hood is designed to remove smoke, cooking vapors and odors from the cooktop area. For best results, start the hood before cooking and allow it to operate several minutes after the cooking is complete to clear all smoke and odors from the kitchen.

The hood controls are located on the center of the range hood.



A. Halogen lamp housings
B. Grease filter handle
C. Blower and light controls
D. Grease filter

Control Panel



A. Power decrease
B. Power increase
C. Display
D. Light
E. Timer

Display

Grease Filter Saturation Alarm

After 30 hours of fan function, the display will show “Clean Grease Filter” when the fan is active. When this icon shows in the display, the installed grease filters should be washed. See the “Range Hood Care” section.

- To reset the grease filter saturation alarm, press and hold the Power Increase button for 5 seconds. The “Clean Grease Filter” icon will no longer be displayed.

Charcoal Filter Saturation Alarm

After 120 hours of fan function, the display will show “Replace Charcoal Filter” when the fan is active. When this icon shows in the display, the charcoal filters should be replaced. See the “Range Hood Care” section.

- To reset the charcoal filter saturation alarm, press and hold the Power Decrease button for 5 seconds. The “Replace Charcoal Filter” icon will no longer be displayed.

Audible Signal Activation and Deactivation

The audible signals can be activated or deactivated by pressing the “Light” button for 5 seconds.

- If the audible signal is activated, a tone will sound, and “Snd” symbol will appear in the display for 3 seconds.
- If the audible signal is deactivated, the “Snd” symbol will appear on the display for 3 seconds.

Charcoal Filter (Recirculation Accessory) Inclusion and Exclusion

When the charcoal filter is in use (recirculating mode), press and hold the Power Decrease and Power Increase buttons at the same time for 5 seconds. “Able” will appear in the display for 3 seconds.

If the charcoal filter is not used (vented mode), press and hold the Power Decrease and Power Increase buttons at the same time for 5 seconds. “None” will appear in the display for 3 seconds.

- When the charcoal filter has been excluded, the charcoal filter alarm is disabled.
- The inclusion or exclusion of the charcoal filter must be selected while the lights and the fan motor are Off.

Heat Sensor

The control is equipped with a heat sensor that will turn on the blower to the highest speed if excessive heat occurs around the control area.

- If the blower is On or Off, the blower will automatically set to the highest speed. “Auto” will appear in the display to indicate that the heat sensor has detected excessive heat.
- When the blower is operating due to excessive heat detected by the heat sensor, the blower speed cannot be decreased.
- When the temperature level on the hood drops to normal, the blower will return to its setting before the excessive heat was sensed.

Light

To operate the light:

1. Press the Light button to turn the light on to High.
2. Press the Light button again to turn the light to Low.
3. Press the Light button a third time to turn the light Off.

Timer

The timer can be set from 1 to 60 minutes. The default timer setting is 10 minutes.

To use the timer:

1. Press the Timer button to enter the timer mode. After 5 seconds the default time will be automatically selected.
2. Press the Power Decrease and Power Increase buttons while the display is flashing (5 seconds) to adjust to the desired time. Pressing the timer button again or waiting 5 seconds after selecting the desired time will start the timer countdown.
3. The timer can be canceled at any time by pressing the Timer button again.

NOTE: During the timer setup, the Power Decrease and Power Increase buttons are dedicated to the timer. After the timer starts, the Power Decrease and Power Increase buttons can be used for other functions.

Fan Speed

Power Increase/On

This button is used to turn the fan On or increase the fan speed.

- The fan will turn On if the Power Increase button is pressed and the hood was Off.
- An audible tone will sound when the fan reaches its highest speed.

Power Decrease/Off

- This button is used to turn the fan Off or to decrease the fan speed.

Timed Fan Off

The control has a “Timed Fan Off” feature. When activated, it automatically turns the blower fan off after 10 minutes.

- Press and hold the Timer button for 5 seconds to activate. The fan icon will flash and 10:00 (10 minutes) will show in the display. The time will start counting down after 3 seconds.

RANGE HOOD CARE

Cleaning

IMPORTANT: Clean the hood and grease filters frequently according to the following instructions. Replace grease filters before operating hood.

Exterior Surfaces:

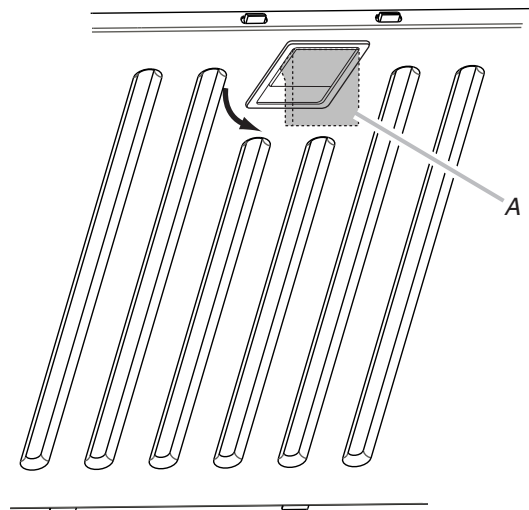
To avoid damage to the exterior surface, do not use steel wool or soap-filled scouring pads.

Always wipe dry to avoid water marks.

Cleaning Method:

- Liquid detergent soap and water, or all-purpose cleanser
- Wipe with damp soft cloth or nonabrasive sponge, then rinse with clean water and wipe dry.

1. Remove each filter by pulling the spring release handle and then pulling down the filter.



A. Spring release handle

Metal Grease Filter

The filters should be washed frequently. Place metal filters in dishwasher or hot detergent solution to clean.

Let filter dry thoroughly before replacing it.

Turn off fan and lights. Allow halogen lamp to cool.

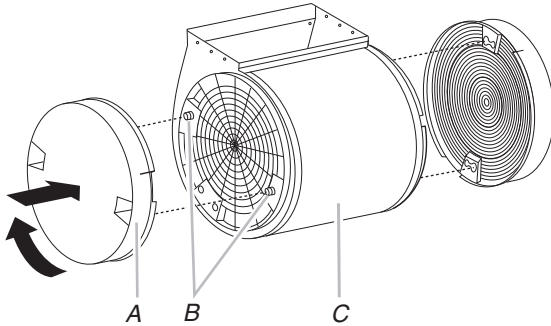
2. Wash metal filters as needed in dishwasher or hot detergent solution.
3. Reinstall the filter by making sure the spring release handles are toward the front. Insert metal grease filter into upper track.
4. Pull the spring release handle down.
5. Push up on metal filter and release handle to latch into place.
6. Repeat steps 1-5 for the other filter.

Non-Vented (Recirculating) Installation Filters

The charcoal filter is not washable. It should last up to 6 months with normal use. Replace with Charcoal Filter Kit Number W10272068.

To Replace Charcoal Filter:

1. Cover the grille that covers the blower motor with the charcoal filter so that the slots on the filter correspond to the pins on the sides of the motor grille.



A. Charcoal filter
B. Pins
C. Blower motor

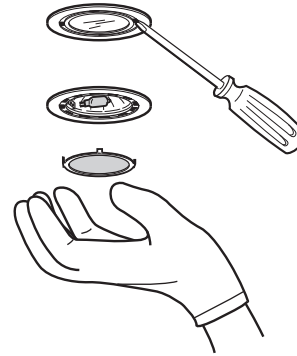
2. Turn the charcoal filter clockwise to lock it.
3. Repeat steps 1-2 on the other filter.

Replacing a Halogen Lamp

Turn off the range hood and allow the halogen lamp to cool. To avoid damage or decreasing the life of the new lamp, do not touch lamp with bare fingers. Replace lamp, using tissue or wearing cotton gloves to handle lamp.

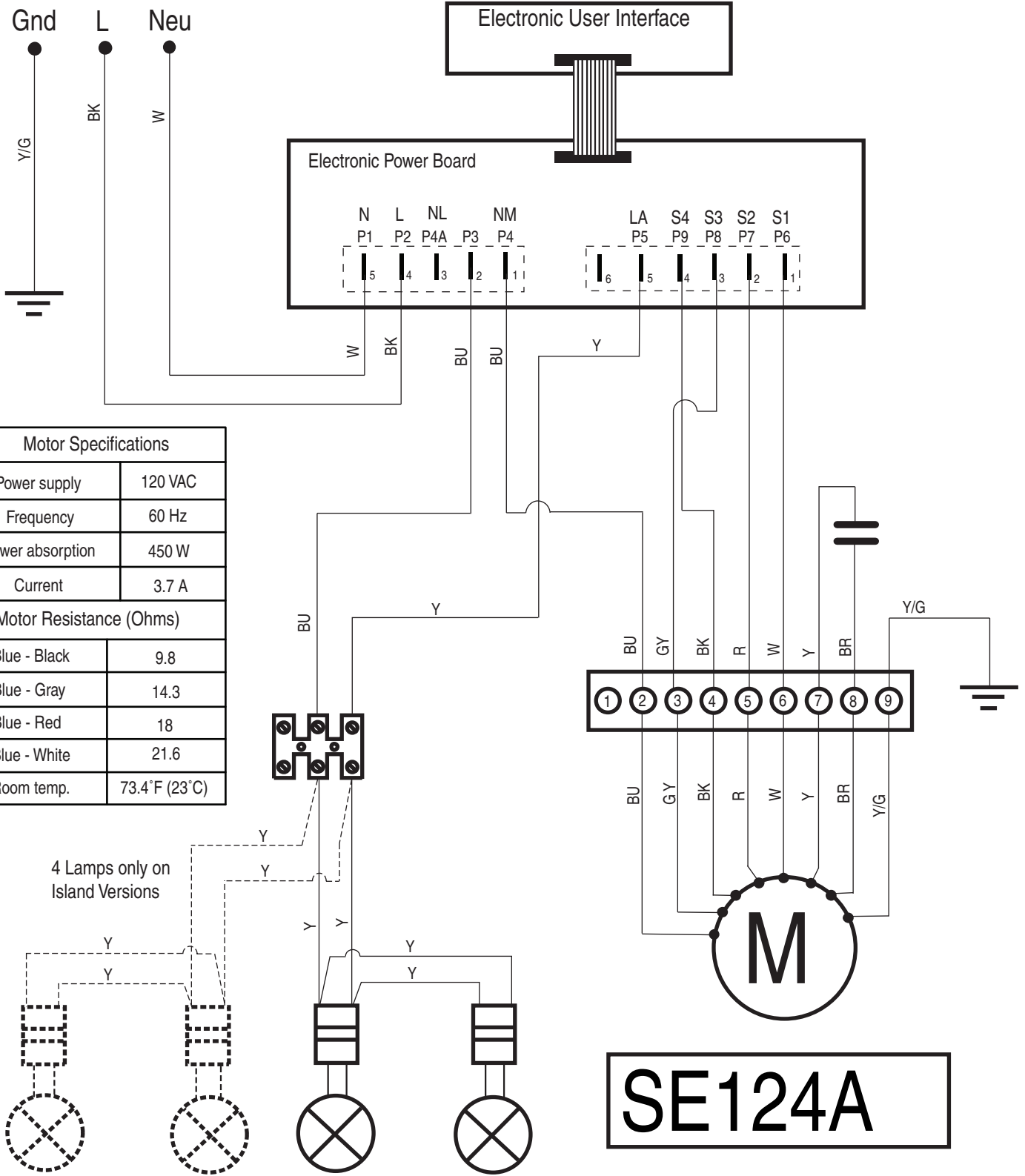
If new lights do not operate, make sure the lamps are inserted correctly before calling service.

1. Disconnect power.
2. Use a flat-blade screwdriver and gently pry the light cover loose.



3. Remove the lamp and replace with a 120-volt, 40-watt maximum, halogen lamp made for a G-9 base.
4. Replace the light cover.
5. Reconnect power.

WIRING DIAGRAM



ASSISTANCE OR SERVICE

When calling for assistance or service, please know the purchase date and the complete model and serial number of your appliance. This information will help us to better respond to your request.

If you need replacement parts

If you need to order replacement parts, we recommend that you use only factory specified parts. Factory specified parts will fit right and work right because they are made with the same precision used to build every new appliance. To locate factory specified replacement parts in your area, call us or your nearest designated service center.

In the U.S.A.

Call the KitchenAid Customer eXperience Center toll free: **1-800-422-1230** or visit our website at **www.kitchenaid.com**.

Our consultants provide assistance with:

- Features and specifications on our full line of appliances.
- Installation information.
- Use and maintenance procedures.
- Accessory and repair parts sales.
- Specialized customer assistance (Spanish speaking, hearing impaired, limited vision, etc.).
- Referrals to local dealers, repair parts distributors and service companies. KitchenAid designated service technicians are trained to fulfill the product warranty and provide after-warranty service, anywhere in the United States.

To locate the KitchenAid designated service company in your area, you can also look in your telephone directory Yellow Pages.

For further assistance

If you need further assistance, you can write to KitchenAid with any questions or concerns at:

KitchenAid Brand Home Appliances
Customer eXperience Center
553 Benson Road
Benton Harbor, MI 49022-2692

Please include a daytime phone number in your correspondence.

In Canada

Call the KitchenAid Canada Customer eXperience Centre toll free: **1-800-807-6777** or visit our website at **www.kitchenaid.ca**.

Our Consultants Provide Assistance With:

- Features and specifications on our full line of appliances.
- Use and maintenance procedures.
- Accessory and repair parts sales.
- Referrals to local dealers, repair parts distributors and service companies. KitchenAid Canada designated service technicians are trained to fulfill the product warranty and provide after-warranty service, anywhere in Canada.

For Further Assistance

If you need further assistance, you can write to KitchenAid Canada with any questions or concerns at:

Customer eXperience Centre
KitchenAid Canada
200 - 6750 Century Ave.
Mississauga, Ontario L5N 0B7

Please include a daytime phone number in your correspondence.

Accessories

Replacement Charcoal Filter Kit (2 Pack of Filters)

(for non-vented installations only)

Order Part Number W10272068

3¼" x 10" (8.3 x 25.4 cm) Makeup Air Kit

(consult local building codes)

Order Part Number W10446914

KITCHENAID® VENTILATION WARRANTY

LIMITED WARRANTY

For one year from the date of purchase, when this major appliance is operated and maintained according to instructions attached to or furnished with the product, KitchenAid brand of Whirlpool Corporation or Whirlpool Canada LP (hereafter "KitchenAid") will pay for Factory Specified Parts and repair labor to correct defects in materials or workmanship. Service must be provided by a KitchenAid designated service company. This limited warranty is valid only in the United States or Canada and applies only when the major appliance is used in the country in which it was purchased. Outside the 50 United States and Canada, this limited warranty does not apply. Proof of original purchase date is required to obtain service under this limited warranty.

ITEMS EXCLUDED FROM WARRANTY

This limited warranty does not cover:

1. Service calls to correct the installation of your major appliance, to instruct you on how to use your major appliance, to replace or repair house fuses, or to correct house wiring or plumbing.
2. Service calls to repair or replace appliance light bulbs, air filters or water filters. Consumable parts are excluded from warranty coverage.
3. Repairs when your major appliance is used for other than normal, single-family household use or when it is used in a manner that is contrary to published user or operator instructions and/or installation instructions.
4. Damage resulting from accident, alteration, misuse, abuse, fire, flood, acts of God, improper installation, installation not in accordance with electrical or plumbing codes, or use of consumables or cleaning products not approved by KitchenAid.
5. Cosmetic damage, including scratches, dents, chips or other damage to the finish of your major appliance, unless such damage results from defects in materials or workmanship and is reported to KitchenAid within 30 days from the date of purchase.
6. Costs associated with the removal from your home of your major appliance for repairs. This major appliance is designed to be repaired in the home and only in-home service is covered by this warranty.
7. Repairs to parts or systems resulting from unauthorized modifications made to the appliance.
8. Expenses for travel and transportation for product service if your major appliance is located in a remote area where service by an authorized KitchenAid servicer is not available.
9. The removal and reinstallation of your major appliance if it is installed in an inaccessible location or is not installed in accordance with published installation instructions.
10. Major appliances with original model/serial numbers that have been removed, altered or cannot be easily determined. This warranty is void if the factory applied serial number has been altered or removed from your major appliance.

The cost of repair or replacement under these excluded circumstances shall be borne by the customer.

DISCLAIMER OF IMPLIED WARRANTIES; LIMITATION OF REMEDIES

CUSTOMER'S SOLE AND EXCLUSIVE REMEDY UNDER THIS LIMITED WARRANTY SHALL BE PRODUCT REPAIR AS PROVIDED HEREIN. IMPLIED WARRANTIES, INCLUDING WARRANTIES OF MERCHANTABILITY OR FITNESS FOR A PARTICULAR PURPOSE, ARE LIMITED TO ONE YEAR OR THE SHORTEST PERIOD ALLOWED BY LAW. KITCHENAID SHALL NOT BE LIABLE FOR INCIDENTAL OR CONSEQUENTIAL DAMAGES. SOME STATES AND PROVINCES DO NOT ALLOW THE EXCLUSION OR LIMITATION OF INCIDENTAL OR CONSEQUENTIAL DAMAGES, OR LIMITATIONS ON THE DURATION OF IMPLIED WARRANTIES OF MERCHANTABILITY OR FITNESS, SO THESE EXCLUSIONS OR LIMITATIONS MAY NOT APPLY TO YOU. THIS WARRANTY GIVES YOU SPECIFIC LEGAL RIGHTS, AND YOU MAY ALSO HAVE OTHER RIGHTS WHICH VARY FROM STATE TO STATE OR PROVINCE TO PROVINCE.

If outside the 50 United States and Canada, contact your authorized KitchenAid dealer to determine if another warranty applies.

If you need service, first see the "Troubleshooting" section of the Use & Care Guide. After checking "Troubleshooting," you may find additional help by checking the "Assistance or Service" section or by calling KitchenAid. In the U.S.A., call **1-800-422-1230**. In Canada, call **1-800-807-6777**.

9/07

Keep this book and your sales slip together for future reference. You must provide proof of purchase or installation date for in-warranty service.

Write down the following information about your major appliance to better help you obtain assistance or service if you ever need it. You will need to know your complete model number and serial number. You can find this information on the model and serial number label located on the product.

Dealer name _____
Address _____
Phone number _____
Model number _____
Serial number _____
Purchase date _____

SÉCURITÉ DE LA HOTTE DE CUISINIÈRE

Votre sécurité et celle des autres est très importante.

Nous donnons de nombreux messages de sécurité importants dans ce manuel et sur votre appareil ménager. Assurez-vous de toujours lire tous les messages de sécurité et de vous y conformer.



Voici le symbole d'alerte de sécurité.

Ce symbole d'alerte de sécurité vous signale les dangers potentiels de décès et de blessures graves à vous et à d'autres.

Tous les messages de sécurité suivront le symbole d'alerte de sécurité et le mot "DANGER" ou "AVERTISSEMENT". Ces mots signifient :

⚠ DANGER

Risque possible de décès ou de blessure grave si vous ne suivez pas immédiatement les instructions.

⚠ AVERTISSEMENT

Risque possible de décès ou de blessure grave si vous ne suivez pas les instructions.

Tous les messages de sécurité vous diront quel est le danger potentiel et vous disent comment réduire le risque de blessure et ce qui peut se produire en cas de non-respect des instructions.

Avertissements de la proposition 65 de l'État de Californie :

AVERTISSEMENT : Ce produit contient au moins un produit chimique connu par l'État de Californie pour être à l'origine de cancers.

AVERTISSEMENT : Ce produit contient au moins un produit chimique connu par l'État de Californie pour être à l'origine de malformations et autres déficiences de naissance.

IMPORTANTES INSTRUCTIONS DE SÉCURITÉ

AVERTISSEMENT : POUR RÉDUIRE LE RISQUE D'INCENDIE, CHOC ÉLECTRIQUE OU DOMMAGES CORPORELS, RESPECTER LES INSTRUCTIONS SUIVANTES :

- Utiliser cet appareil uniquement dans les applications envisagées par le fabricant. Pour toute question, contacter le fabricant.
- Avant d'entreprendre un travail d'entretien ou de nettoyage, interrompre l'alimentation de la hotte au niveau du tableau de disjoncteurs, et verrouiller le tableau de disjoncteurs pour empêcher tout rétablissement accidentel de l'alimentation du circuit. Lorsqu'il n'est pas possible de verrouiller le tableau de disjoncteurs, placer sur le tableau de disjoncteurs une étiquette d'avertissement proéminente interdisant le rétablissement de l'alimentation.
- Tout travail d'installation ou câblage électrique doit être réalisé par une personne qualifiée, dans le respect des prescriptions de tous les codes et normes applicables, y compris les codes du bâtiment et de protection contre les incendies.
- Ne pas faire fonctionner un ventilateur dont le cordon ou la fiche est endommagé(e). Jeter le ventilateur ou le retourner à un centre de service agréé pour examen et/ou réparation.
- Une source d'air de débit suffisant est nécessaire pour le fonctionnement correct de tout appareil à gaz (combustion et évacuation des gaz à combustion par la cheminée), pour qu'il n'y ait pas de reflux des gaz de combustion. Respecter les directives du fabricant de l'équipement de chauffage et les prescriptions des normes de sécurité - comme celles publiées par la National Fire Protection Association (NFPA) et l'American Society for Heating, Refrigeration and Air Conditioning Engineers (ASHRAE), et les prescriptions des autorités réglementaires locales.
- Lors d'opérations de découpage et de perçage dans un mur ou un plafond, veiller à ne pas endommager les câblages électriques ou canalisations qui peuvent s'y trouver.
- Les ventilateurs d'évacuation doivent toujours décharger l'air à l'extérieur.

MISE EN GARDE : Cet appareil est conçu uniquement pour la ventilation générale. Ne pas l'utiliser pour l'extraction de matières ou vapeurs dangereuses ou explosives.

MISE EN GARDE : Pour minimiser le risque d'incendie et évacuer adéquatement les gaz, veiller à acheminer l'air aspiré par un conduit jusqu'à l'extérieur - ne pas décharger l'air aspiré dans un espace vide du bâtiment comme une cavité murale, un plafond, un grenier, un vide sanitaire ou un garage.

AVERTISSEMENT : POUR RÉDUIRE LE RISQUE D'INCENDIE, UTILISER UNIQUEMENT DES CONDUITS MÉTALLIQUES.

AVERTISSEMENT : POUR MINIMISER LE RISQUE D'UN FEU DE GRAISSE SUR LA CUISINIÈRE :

- Ne jamais laisser un élément de surface fonctionner à puissance de chauffage maximale sans surveillance. Un renversement/débordement de matière grasseuse pourrait provoquer une inflammation et la génération de fumée. Utiliser une puissance de chauffage moyenne ou basse pour le chauffage d'huile.
- Veiller à toujours faire fonctionner le ventilateur de la hotte lors de la cuisson avec une puissance de chauffage élevée ou lors de la cuisson d'un mets à flamber (à savoir crêpes Suzette, cerise jubilé, steak au poivre flambé).
- Nettoyer fréquemment les ventilateurs d'extraction. Veiller à ne pas laisser la graisse s'accumuler sur les surfaces du ventilateur ou des filtres.
- Utiliser toujours un ustensile de taille appropriée. Utiliser toujours un ustensile adapté à la taille de l'élément chauffant.

AVERTISSEMENT : POUR RÉDUIRE LE RISQUE DE DOMMAGES CORPORELS APRÈS LE DÉCLENCHEMENT D'UN FEU DE GRAISSE SUR LA CUISINIÈRE, APPLIQUER LES RECOMMANDATIONS SUIVANTES :^a

- Placer sur le récipient un couvercle bien ajusté, une tôle à biscuits ou un plateau métallique **POUR ÉTOUFFER LES FLAMMES**, puis éteindre le brûleur. **VEILLER À ÉVITER LES BRÛLURES**. Si les flammes ne s'éteignent pas immédiatement, **ÉVACUER LA PIÈCE ET APPELER LES POMPIERS**.
- **NE JAMAIS PRENDRE EN MAIN UN RÉCIPENT ENFLAMMÉ** - vous risquez de vous brûler.
- **NE PAS UTILISER D'EAU**, ni un torchon humide - ceci pourrait provoquer une explosion de vapeur brûlante.
- Utiliser un extincteur **SEULEMENT** si :
 - Il s'agit d'un extincteur de classe ABC, dont on connaît le fonctionnement.
 - Il s'agit d'un petit feu encore limité à l'endroit où il s'est déclaré.
 - Les pompiers ont été contactés.
 - Il est possible de garder le dos orienté vers une sortie pendant l'opération de lutte contre le feu.

^aRecommandations tirées des conseils de sécurité en cas d'incendie de cuisine publiés par la NFPA.

- **AVERTISSEMENT :** Pour réduire le risque d'incendie ou de choc électrique, ne pas utiliser ce ventilateur avec un quelconque dispositif de réglage de la vitesse à semi-conducteurs.

LIRE ET CONSERVER CES INSTRUCTIONS

EXIGENCES D'INSTALLATION

Outils et pièces

Rassembler les outils et pièces nécessaires avant d'entreprendre l'installation. Lire et observer les instructions fournies avec chacun des outils de la liste ci-dessous.

Outils nécessaires

- Perceuse
- Foret de 1 1/4" (3,2 cm)
- Foret de 1/8" (3,2 mm) pour avant-trous
- Crayon
- Pince à dénuder ou couteau utilitaire
- Mètre-ruban ou règle
- Pistolet à calfeutrage et composé de calfeutrage résistant aux intempéries
- Tournevis à lame plate
- Tournevis Phillips

Pour une installation avec décharge à l'extérieur, vous aurez également besoin de :

- Scie sauteuse ou scie à guichet
- Brides de conduit
- Cisaille de ferblantier
- Compas ou gabarit de diamètre 8" (20,3 cm)

Pièces fournies

Retirer les pièces de l'emballage. Vérifier que toutes les pièces sont présentes.

- 2 filtres métalliques pour les modèles de 30" (76,2 cm)
- 2 filtres métalliques pour les modèles de 36" (91,4 cm)
- 6 vis de montage de 4,5 x 13 mm
- 3 vis pour clapet de 4 x 8 mm
- Module clapet/connecteur de conduit de 3 1/4" x 10" (8,3 x 25,4 cm)
- 4 vis de 5 x 45 mm
- 4 pièces d'ancrage mural de 8 x 40 mm
- Ensemble de recyclage
- Filtres à charbon pour installations sans décharge à l'extérieur (recyclage). Pour commander des filtres de rechange, voir la section "Assistance ou service".

Pièces nécessaires

- Câble d'alimentation électrique du domicile
- Serre-cable de 1/2" (12,7 mm) homologué UL ou CSA
- 3 connecteurs de fils homologué UL

Installations avec décharge à l'extérieur :

- Conduit métallique rond de 3 1/4" x 10" (8,3 x 25,4 cm) ou d'un diamètre de 6" (15,2 cm) ou plus
- Clapet anti-reflux de 6" (15,2 cm) ou plus de diamètre, pour utilisation avec un circuit d'évacuation de 6" (15,2 cm) ou plus de diamètre
- Raccord de transition de 3 1/4" x 10" (8,3 x 25,4 cm) sur 6" (15,2 cm) ou plus de diamètre pour utilisation avec circuit d'évacuation d'un diamètre de 6" (15,2 cm) ou plus.
- 1 bouche de décharge à l'extérieur par un mur ou par le toit

Pour placards avec cavité au fond :

- Deux tringles d'appui de largeur 2" (5,1 cm). Longueur et épaisseur selon les dimensions de l'encastrement.
- Quatre vis à bois à tête plate ou vis à métaux avec rondelles et écrous, pour la fixation des tringles d'appui.

Exigences d'emplacement

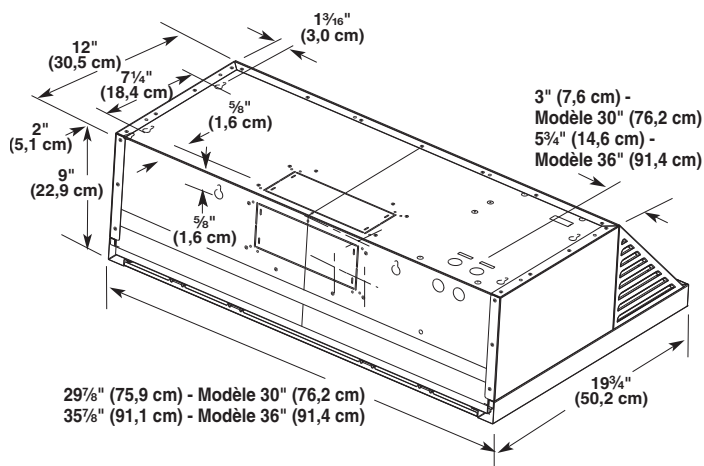
IMPORTANT : Observer les dispositions de tous les codes et règlements en vigueur.

- C'est à l'installateur qu'incombe la responsabilité de respecter les distances de séparation spécifiées sur la plaque signalétique de l'appareil. La plaque signalétique est située à l'intérieur de la hotte, sur la paroi de gauche.
- Installer la hotte de cuisinière à distance de toute zone exposée à des courants d'air, comme fenêtres, portes et bouches de chauffage à fort débit.
- Respecter les dimensions indiquées pour les ouvertures à découper dans les placards. Ces dimensions tiennent compte des valeurs minimales des dégagements de séparation. Avant d'effectuer des découpages, consulter les instructions d'installation fournies par le fabricant de la table de cuisson/cuisinière.
- On doit disposer d'une prise de courant électrique reliée à la terre. Voir la section "Spécifications électriques".
- La hotte a été configurée à l'usine pour une installation avec décharge à l'extérieur. Pour les installations sans décharge à l'extérieur (recyclage), l'ensemble de recyclage est inclus. Pour commander des filtres à charbon de rechange (pièce numéro W10272068), voir la section "Assistance ou service".
- Assurer l'étanchéité au niveau de chaque ouverture découpée dans le plafond ou le mur pour l'installation de la hotte de cuisinière.

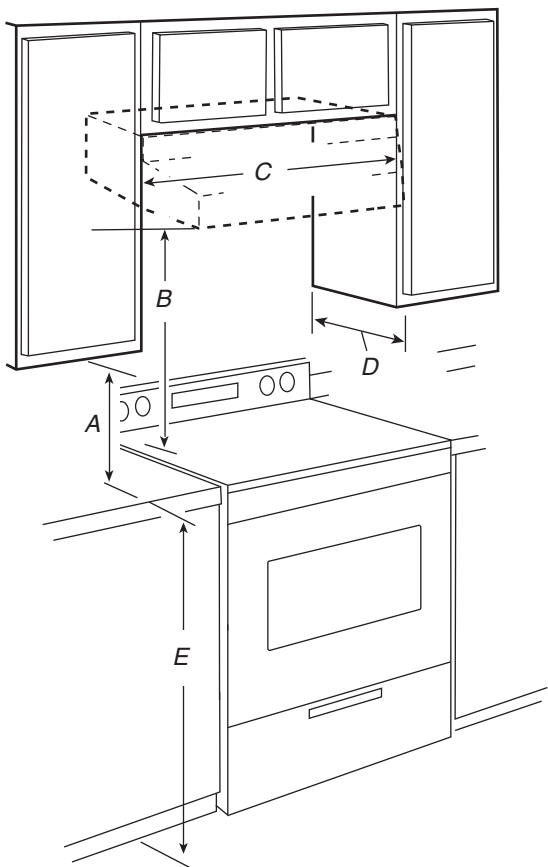
Installation dans une résidence mobile

L'installation de cette hotte doit satisfaire aux exigences de la norme Manufactured Home Construction Safety Standards, Titre 24 CFR, partie 328 (anciennement Federal Standard for Mobile Home Construction and Safety, titre 24, HUD, partie 280); lorsque cette norme n'est pas applicable, l'installation doit satisfaire aux critères de la plus récente édition de la norme Manufactured Home Installation 1982 (Manufactured Home Sites, Communities and Setups) ANSI A225.1/NFPA 501A, ou des codes locaux.

Dimensions du produit



Distances de dégagement à respecter



A. Dégagement min. de 18" (45,7 cm) entre le placard supérieur et le plan de travail

B. 24" (61 cm) min. pour les surfaces de cuisson électriques 27" (68,6 cm) min. pour surfaces de cuisson au gaz
Distance maximale suggérée de 30" (76,2 cm) du bas de la hotte à la surface de cuisson

C. Largeur minimale de l'ouverture entre les placards 30" (76,2 cm) ou 36" (91,4 cm)

D. Profondeur de placard 13" (33 cm)

E. Hauteur de placard du bas 36" (91,4 cm)

Exigences concernant l'évacuation

(Uniquement pour modèles avec évacuation)

- Le système d'évacuation doit décharger l'air à l'extérieur, excepté pour les installations sans décharge à l'extérieur (recyclage).
- Ne pas terminer le conduit d'évacuation dans un grenier ou dans un autre espace fermé.
- Ne pas utiliser une bouche de décharge murale de 4" (10,2 cm) normalement utilisée pour un équipement de buanderie.
- Utiliser un conduit métallique rond de 6" (15,2 cm) ou plus de diamètre, ou un conduit métallique rectangulaire de 3¼" x 10" (8,3 cm x 25,4 cm). Un conduit en métal rigide est recommandé. L'utilisation d'un conduit de plastique ou en feuille métallique est déconseillée.
- La longueur du système d'évacuation et le nombre de coudes doit être réduit au minimum pour fournir la meilleure performance.

Pour un fonctionnement efficace et silencieux :

- Ne pas utiliser plus de trois coudes à 90°.
- Veiller à ce qu'il y ait une section droite de conduit de 24" (61,0 cm) au minimum entre deux coudes, si on doit utiliser plus d'un raccord coudé.
- Ne pas installer 2 coudes ensemble.
- Au niveau de chaque jointure du conduit de décharge, assurer l'étanchéité avec les brides de serrage pour conduit.
- Le système d'évacuation doit comporter un clapet. Si la bouche de décharge murale ou par le toit comporte un clapet, ne pas utiliser le clapet fourni avec la hotte de cuisinière.
- Autour de la bouche de décharge à l'extérieur par un mur ou par le toit, assurer l'étanchéité avec un produit de calfeutrage.

Installations pour régions à climat froid

On doit installer un clapet anti-reflux additionnel à l'arrière pour minimiser le reflux d'air froid, et incorporer un élément d'isolation thermique pour minimiser la conduction de chaleur par l'intermédiaire du conduit d'évacuation, de l'intérieur de la maison à l'extérieur. Le clapet anti-reflux doit être placé du côté air froid par rapport à l'élément d'isolation thermique.

L'élément d'isolation thermique doit être aussi proche que possible de l'endroit où le système d'évacuation s'introduit dans la partie chauffée de la maison.

Air d'appoint

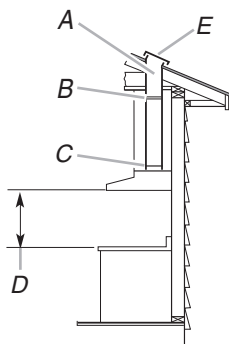
Le code du bâtiment local peut exiger l'emploi d'un système d'air d'appoint lors de l'emploi d'un ventilateur d'extraction dont la capacité d'aspiration est supérieure à un débit (pieds cubes par minute) spécifié. Le débit spécifié, pieds cubes par minute, est variable d'une juridiction à une autre. Consulter un professionnel des installations de chauffage ventilation/climatisation au sujet des exigences spécifiques applicables dans la juridiction locale.

Méthodes d'évacuation

La sortie à l'extérieur du circuit d'évacuation peut se faire à travers le toit ou à travers un mur. Utiliser un conduit rectangulaire de 3/4" x 10" (8,3 cm x 25,4 cm) pour une longueur effective maximale de circuit de 35 pi (10,7 m) ou un conduit rond de 6" (15,2 cm) ou plus de diamètre pour une longueur effective maximale de circuit de 50 pi (15,2 m).

REMARQUE : On déconseille l'emploi d'un conduit flexible. Un conduit flexible peut susciter une rétro-pression et des turbulences de l'air, ce qui réduit considérablement la performance.

Décharge à travers le toit



A. Conduit rond de diamètre 6" (15,2 cm) ou plus ou conduit rectangulaire de 3/4" x 10" (8,3 x 25,4 cm) à travers le toit

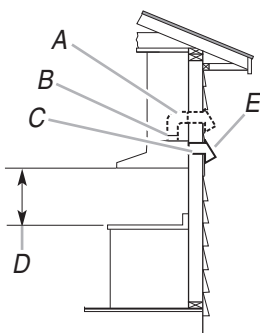
B. Conduit rond : utiliser un clapet rond de 6" (15,2 cm) ou plus de diamètre (achat séparé)

C. Conduit rond : Utiliser un raccord de transition de 3/4" x 10" (8,3 x 25,4 cm) sur 6" (15,2 cm) ou de plus grande taille (achat séparé).

D. 24" (61 cm) - 30" (76,2 cm) au-dessus de la surface de cuisson électrique
27" (68,6 cm) - 30" (76,2 cm) au-dessus de la surface de cuisson au gaz

E. Bouche de décharge sur toit

Décharge à travers le mur



A. Conduit de diamètre 6" (15,2 cm) ou plus ou conduit rectangulaire de 3/4" x 10" (8,3 x 25,4 cm) à travers le mur

B. Conduit rond : Utiliser un raccord de transition de 3/4" x 10" (8,3 x 25,4 cm) sur 6" (15,2 cm) ou de plus grande taille (achat séparé)

C. Sortie à travers le mur pour conduit rectangulaire de 3/4" x 10" (8,3 x 25,4 cm)

D. 24" (61 cm) - 30" (76,2 cm) au-dessus de la surface de cuisson électrique
27" (68,6 cm) - 30" (76,2 cm) au-dessus de la surface de cuisson au gaz

E. Bouche de décharge murale

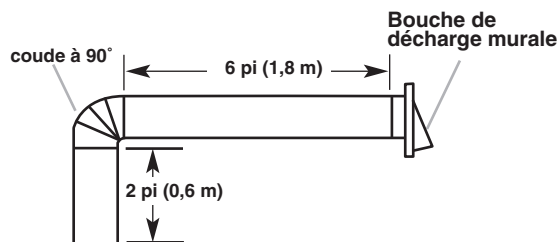
Calcul de la longueur effective du circuit d'évacuation

Pour calculer la longueur effective du circuit d'évacuation nécessaire, additionner les longueurs équivalentes (pieds/mètres) de tous les composants utilisés dans le système.

Système de décharge circulaire de 6" (15,2 cm) ou plus

Composant	Conduit rond	
Coude à 45°	2,5 pi (0,8 m)	
Coude à 90°	5 pi (1,5 m)	
Bouche de décharge murale de 6" (15,2 cm) ou plus	0 pi (0 m)	
3/4" x 10" (8,3 cm x 25,4 cm) sur 6" (15,2 cm) ou plus	4,5 pi (1,4 m)	
Coude à 90° de 3/4" x 10" (8,3 cm x 25,4 cm) sur 6" (15,2 cm) ou plus	5 pi (1,5 m)	

Exemple de système de décharge



Longueur maximale recommandée = 50 pi (15,2 m)

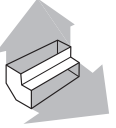
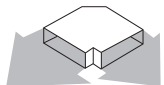
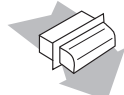
1 - coude à 90° = 5 pi (1,5 m)

1 - bouche de décharge murale = 0 pi (0 m)

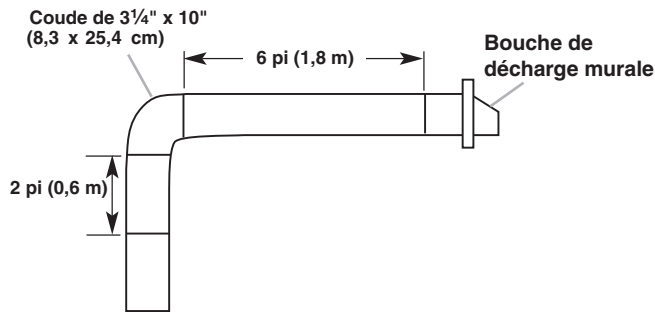
section droite de 8 pi (2,4 m) = 8 pi (2,4 m)

Longueur du système de dia. 7" (17,8 cm) = 13 pi (3,9 m)

Système de décharge de 3/4" x 10" (8,3 cm x 25,4 cm)

Composant		
Coude à 90° de 3/4" x 10" (8,3 cm x 25,4 cm)	5 pi (1,5 m)	
Coude plat de 3/4" x 10" (8,3 cm x 25,4 cm)	12 pi (3,7 m)	
Bouche de décharge murale de 3/4" x 10" (8,3 cm x 25,4 cm)	0 pi (0 m)	

Exemple de système de décharge



Longueur maximale recommandée = 35 pi (10,7 m)

1 - coude à 90°	= 5 pi (1,5 m)
section droite de 8 pi (2,4 m)	= 8 pi (2,4 m)
1 - bouche de décharge murale	= 0 pi (0 m)
Longueur du système de 3/4" x 10" (8,3 cm x 25,4 cm)	= 13 pi (3,9 m)

Spécifications électriques

Observer les dispositions de tous les codes et règlements en vigueur.

Vérifier que l'installation électrique a été correctement effectuée et qu'elle est conforme aux spécifications de la plus récente édition des normes National Electrical Code, ANSI/NFPA 70, ou de la norme CSA C22.1-94, Code canadien de l'électricité, partie 1 et C22.2 N° 0-M91 (dernière édition) et de tous les codes et règlements en vigueur locaux.

Si les codes le permettent et si on utilise un conducteur distinct de liaison à la terre, il est recommandé qu'un électricien qualifié vérifie la qualité de la liaison à la terre.

Pour obtenir un exemplaire de la norme des codes ci-dessus, contacter :

National Fire Protection Association
1 Batterymarch Park
Quincy, MA 02169-7471
CSA International
8501 East Pleasant Valley Road
Cleveland, OH 44131-5575

- L'appareil doit être alimenté par un circuit de 120 VCA seulement, 60 Hz, 15 A, protégé par fusible.
- Si le domicile est équipé d'un câblage en aluminium, suivre la procédure ci-dessous :

1. Connecter une section de câble en cuivre massif aux conducteurs en queue de cochon.
2. Connecter le câblage en aluminium à la section ajoutée de câblage en cuivre en utilisant des connecteurs et/ou des outils spécialement conçus et homologués UL pour fixer le cuivre à l'aluminium.

Appliquer la procédure recommandée par le fabricant des connecteurs électriques. La connexion aluminium/cuivre doit être conforme aux codes locaux et aux pratiques de câblage acceptées par l'industrie.

- Le calibre des conducteurs et les connexions doivent être compatibles avec la demande de courant de l'appareil spécifiée sur la plaque signalétique. La plaque signalétique de l'appareil est située derrière le filtre, sur la paroi arrière de la hotte.
- Le calibre des conducteurs doit satisfaire aux exigences de la plus récente édition de la norme National Electrical Code, ANSI/NFPA 70, ou des normes CSA C22.1-94, Code canadien de l'électricité, partie 1 et C22.2 n° 0-M91 (dernière édition) et de tous les codes et règlements en vigueur.

INSTRUCTIONS D'INSTALLATION

Préparation de l'emplacement

REMARQUE : Pour les installations avec décharge à l'extérieur, on recommande d'installer le circuit d'évacuation avant d'entreprendre l'installation de la hotte.

Avant d'exécuter les découpages, vérifier la disponibilité d'un dégagement suffisant dans le plafond ou le mur pour le conduit d'évacuation.

REMARQUE : L'adaptateur/le clapet d'évacuation peut être installé jusqu'à 1" (2,5 cm) de chaque côté du centre de la hotte pour pouvoir installer les conduits décentrés.

1. Déconnecter la source de courant électrique.
2. Déterminer la méthode d'évacuation à utiliser : à travers le toit ou à travers le mur.
3. Sélectionner une surface plane pour l'assemblage de la hotte. Placer le matériau de protection sur cette surface.

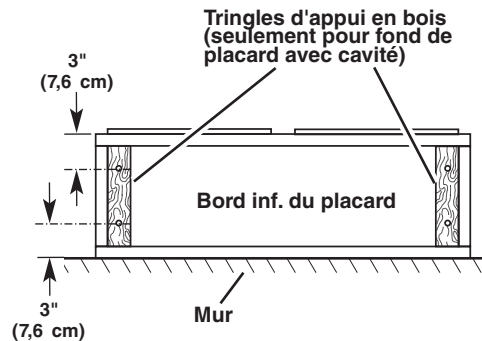
⚠ AVERTISSEMENT

Risque du poids excessif

Utiliser deux ou plus de personnes pour déplacer et installer la hotte de la cuisinière.

Le non-respect de cette instruction peut causer une blessure au dos ou d'autre blessure.

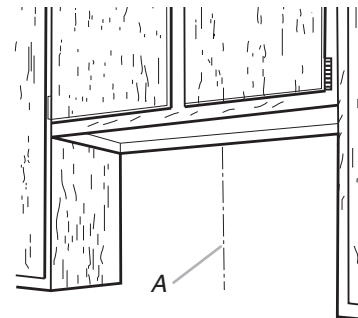
4. À l'aide d'au moins 2 personnes, soulever la hotte et la placer à l'envers sur une surface couverte.
5. Si le fond du placard forme une cavité, ajouter des tringles d'appui en bois de chaque côté. Installer les vis pour fixer les tringles d'appui aux emplacements indiqués.



Déterminer l'emplacement du trou de passage du câble

Percer seulement un trou de passage de 1/4" (3,2 cm) de diamètre pour le câblage. Voir l'étape 2 pour des instructions sur l'emplacement du trou de passage du câblage.

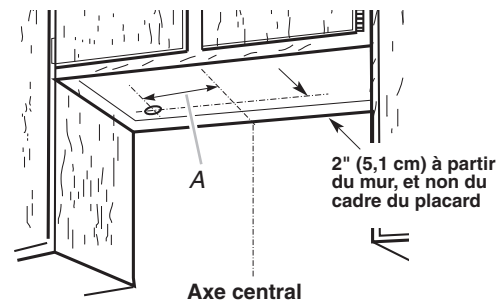
1. Déterminer et tracer clairement l'axe central vertical sur le mur et le placard dans la zone où le passage du conduit d'évacuation sera réalisé.



A. Axe central

2. Câblage à travers le sommet du placard :

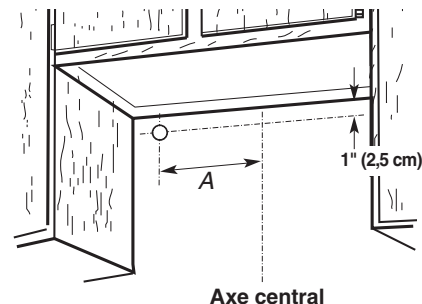
Tracer une ligne de distance "A" à gauche de l'axe central, sur la face inférieure du placard. Sur cette ligne, marquer le point situé à 2" (5,1 cm) du mur arrière. Percer en ce point un trou de 1/4" (3,2 cm) de diamètre à travers le placard.



A. 12" (30,5 cm) pour les modèles de 30" (76,2 cm)
12 1/4" (31,1 cm) pour les modèles de 36" (91,4 cm)

3. Passage du câble à travers le mur :

Tracer une ligne de distance "A" à partir de la gauche de l'axe central sur le mur. Sur cette ligne, marquer un point à 1" (2,5 cm) du fond du placard. Percer en ce point un trou de 1/4" (3,2 cm) de diamètre à travers la paroi arrière.



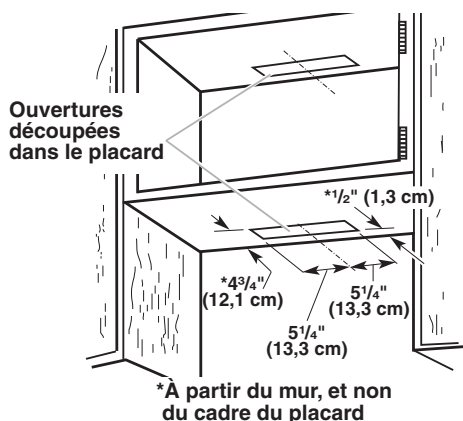
A. 12" (30,5 cm) pour les modèles de 30" (76,2 cm)
12 1/4" (31,1 cm) pour les modèles de 36" (91,4 cm)

Style 1 - Découpages d'ouverture pour un système d'évacuation rectangulaire de 3¼" x 10" (8,3 cm x 25,4 cm)

Décharge à travers le toit

Découpage d'une ouverture rectangulaire de 4¼" x 10½" (10,8 cm x 26,7 cm) sur la face inférieure du sommet et du bas du placard :

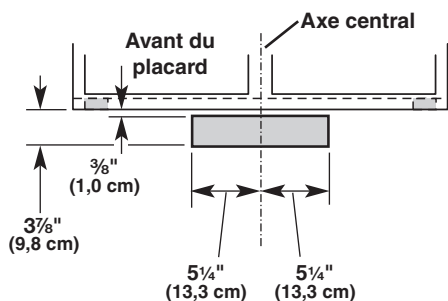
1. Tracer des lignes à ½" (1,3 cm) et 4¾" (12,1 cm) du mur arrière, sur l'axe central de la face inférieure du placard.
2. Tracer des lignes à 5¼" (13,3 cm) de part et d'autre de l'axe central sur la face inférieure du placard.
3. Utiliser une scie sauteuse ou une scie à guichet pour découper l'ouverture rectangulaire pour le passage du conduit d'évacuation.
4. Répéter les étapes 1 à 3 pour la face inférieure du sommet du placard.



Évacuation par le mur

Découpage d'une ouverture rectangulaire de 3½" x 10½" (8,9 cm x 26,7 cm) dans le mur :

1. Mesurer 2 lignes de ¾" (1,0 cm) et 3⅞" (9,8 cm) en descendant à partir de la face inférieure du placard et marquer leur emplacement sur l'axe central du mur arrière.
2. Tracer des lignes à 5¼" (13,3 cm) de part et d'autre de l'axe central sur le mur.
3. Utiliser une scie sauteuse ou une scie à guichet pour découper l'ouverture rectangulaire du système d'évacuation dans le mur.

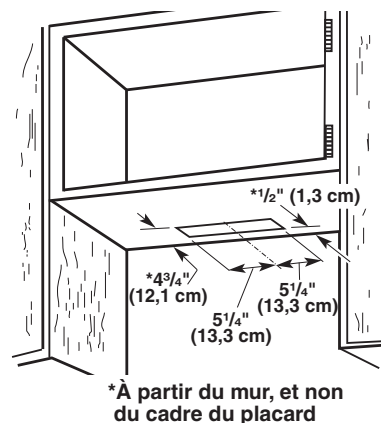


Style 2 - Découpages d'ouverture pour un conduit rectangulaire de 3¼" x 10" (8,3 x 25,4 cm) sur raccord de transition rond

Décharge à travers le toit

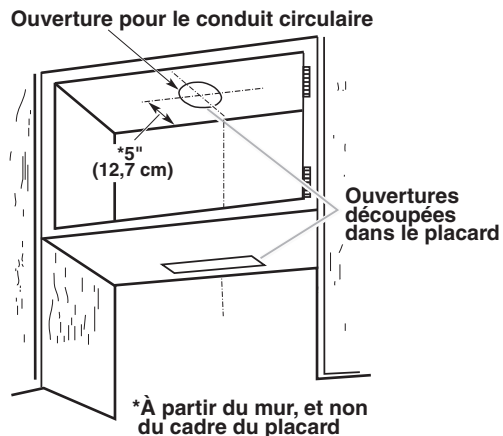
Découpage d'une ouverture rectangulaire de 4¼" x 10½" (10,8 cm x 26,7 cm) sur la face inférieure du bas du placard :

1. Tracer des lignes à ½" (1,3 cm) et 4¾" (12,1 cm) du mur arrière, sur l'axe central de la face inférieure du placard.
2. Tracer des lignes à 5¼" (13,3 cm) de part et d'autre de l'axe central sur la face inférieure du placard.
3. Utiliser une scie sauteuse ou une scie à guichet pour découper l'ouverture rectangulaire pour le passage du conduit d'évacuation.



Découpage d'une ouverture circulaire sur la face inférieure du sommet du placard :

1. Tracer un axe central sur la face inférieure du sommet du placard.
2. Tracer une ligne de 5" (12,7 cm) en partant du mur arrière sur la face inférieure du sommet du placard.
3. Utiliser un compas ou un gabarit circulaire pour tracer un cercle avec un diamètre de ¼" (0,64 cm) supérieur à celui du conduit d'évacuation.
4. Utiliser une scie sauteuse ou une scie à guichet pour découper l'ouverture circulaire pour le passage du conduit d'évacuation.

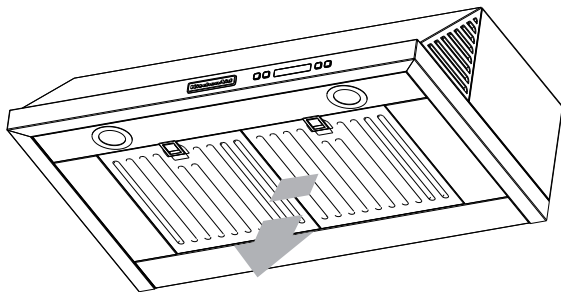


Installation du système d'évacuation

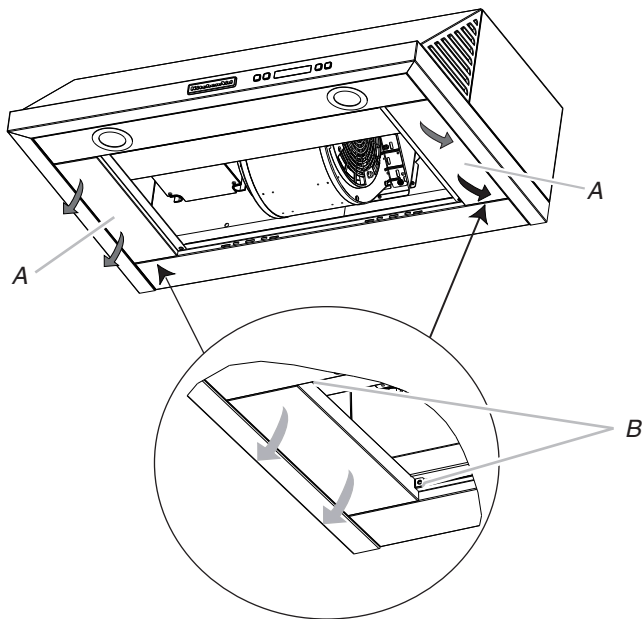
1. Installer le conduit d'évacuation à travers les ouvertures découpées dans le placard mural ou le mur. Achever l'installation du système d'évacuation conformément à la méthode d'évacuation sélectionnée. Voir la section "Exigences concernant l'évacuation".
2. À l'aide d'un produit de calfeutrage, assurer l'étanchéité autour de la bouche de décharge à l'extérieur (à travers le mur ou le toit).

Installation de la hotte

1. Ôter les filtres à graisse. Voir la section "Entretien de la cuisinière".



2. Retirer les vis de montage et les supports latéraux.



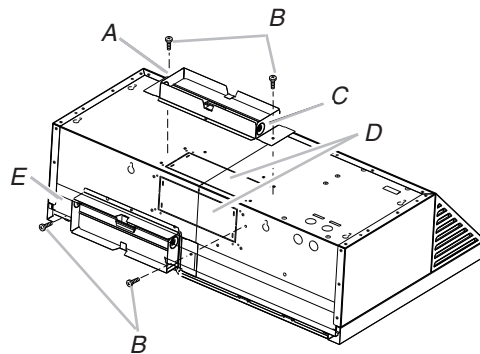
A. Supports latéraux
B. Vis de montage

Installations avec décharge à l'extérieur :

- Selon votre installation, retirer l'opercule rectangulaire supérieur ou arrière du conduit d'évacuation.
- **REMARQUE :** Ne pas retirer les opercules rectangulaires si l'installation de la hotte correspond à une installation sans décharge à l'extérieur (recyclage).
- Veiller à ce que le pivot du clapet soit le plus proche possible du bord supérieur/arrière de la hotte.
- Enlever le ruban adhésif du volet du clapet.

REMARQUE : L'adaptateur/le clapet d'évacuation peut être installé jusqu'à 1" (2,5 cm) de chaque côté du centre de la hotte pour pouvoir installer les conduits décentrés.

- Si l'on utilise un conduit rectangulaire, fixer les connecteurs rectangulaires du clapet/conduit à la hotte à l'aide de vis de tôlerie.

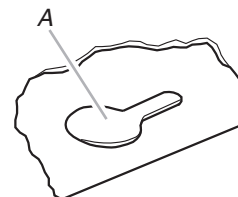


A. Conduit vertical
B. Vis de tôlerie
C. Axe de charnière
D. Opercules arrachables du conduit d'évacuation
E. Conduit horizontal

- En cas d'utilisation d'un conduit circulaire, fixer le raccord de transition (achat séparé) au sommet de la hotte à l'aide de vis de tôlerie.

REMARQUE : Si la bouche de décharge murale est située directement derrière le connecteur de conduit, on doit veiller à empêcher toute interférence entre les clapets du connecteur et de la bouche de décharge murale. En cas d'interférence, supprimer le clapet du connecteur de conduit.

3. Soulever la hotte sous le placard et déterminer sa position d'installation finale en la centrant sous le placard. Sur la face inférieure du placard, marquer l'emplacement des 4 trous de montage sur la hotte. Placer la hotte à part sur une surface couverte.



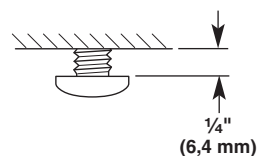
A. Trou en forme de serrure

4. À l'aide d'un foret de 1/8" (3 mm), percer 4 avant-trous tel qu'illustré.



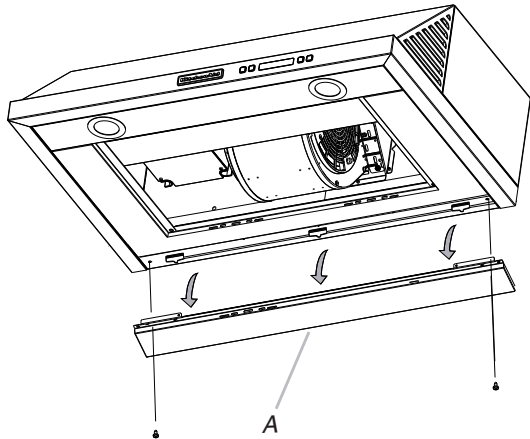
A. Perçage des avant-trous

5. Installer les 4 vis de montage 4,5 x 13 mm dans les avant-trous. Laisser un espace d'environ 1/4" (6,4 mm) entre les têtes des vis et le placard pour faire glisser la hotte et la mettre en place.



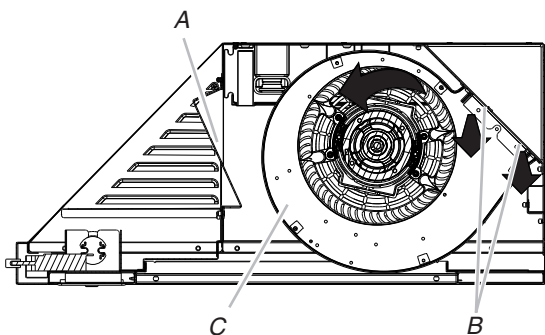
Pour les installations sans décharge à l'extérieur (recyclage), on doit modifier la position du ventilateur :

- Retirer les vis et le support arrière.



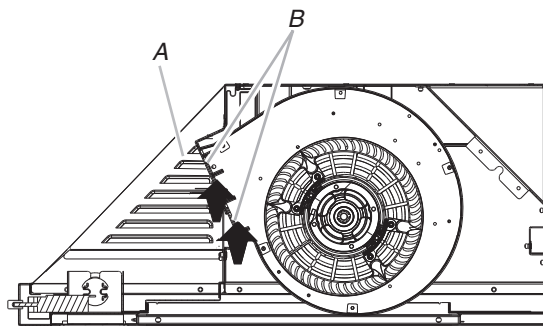
A. Support arrière

- Retirer les vis de montage du ventilateur. Pousser le ventilateur vers le haut pour le détacher de la plaque de montage.
- Retirer l'opercule arrachable de la plaque de montage avant.



A. Opercule arrachable de la plaque de montage avant
B. Vis de montage du ventilateur
C. Ventilateur

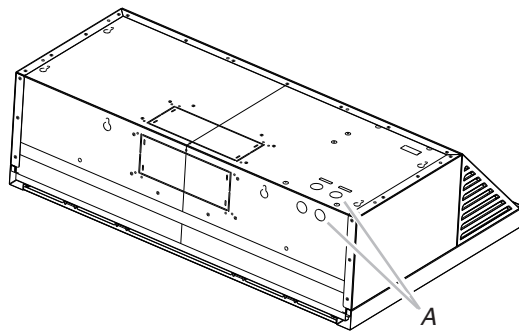
- Faire pivoter le ventilateur et le fixer à la plaque de montage avant. Installer les vis de montage du ventilateur.



A. Vis de montage du ventilateur
B. Plaque de montage avant

- Installer les filtres à charbon. Voir la section "Entretien de la hotte".

6. Ôter l'opercule circulaire pour le passage du serre-câble du sommet ou de l'arrière de la hotte de ventilation (selon l'emplacement du câblage) et installer un serre-câble de 1/2" homologué UL ou CSA.



A. L'opercule circulaire

7. À l'aide de deux personnes, soulever la hotte et la placer à son emplacement final. Insérer suffisamment de câble électrique dans le serre-câble pour pouvoir établir les connexions dans la boîte de connexion. Serrer les vis du serre-câble.
8. Positionner la partie large des trous allongés de la hotte par-dessus la tête des vis de montage. Puis pousser la hotte vers le mur pour engager la partie étroite des trous sur les vis de fixation. La hotte doit être placée contre le mur. Serrer les vis de montage en s'assurant que les vis se trouvent dans la partie étroite des encoches.
9. Le cas échéant, vérifier que le clapet peut manœuvrer librement vers le haut et vers le bas.

Raccordement électrique

⚠ AVERTISSEMENT



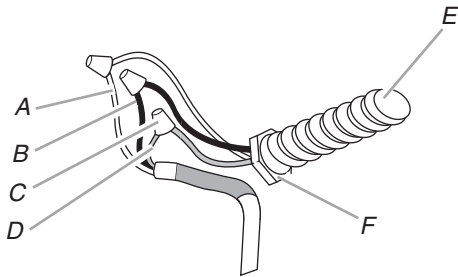
Risque de choc électrique

Déconnecter la source de courant électrique avant l'entretien.

Replacer pièces et panneaux avant de faire la remise en marche.

Le non-respect de ces instructions peut causer un décès ou un choc électrique.

1. Déconnecter la source de courant électrique.



- A. Conducteurs blancs
- B. Conducteurs noirs
- C. Connecteur de fils (homologation UL)
- D. Conducteurs verts (ou nus) ou verts-jaunes de liaison à la terre
- E. Câble d'alimentation électrique du domicile
- F. Serre-câble de 1/2" (homologation UL ou CSA)

2. Connecter ensemble les conducteurs noirs (B) avec des connecteurs de fils (homologation UL).

3. Connecter ensemble les conducteurs blancs (A) avec des connecteurs de fils (homologation UL).

⚠ AVERTISSEMENT



Risque de choc électrique

Relier le ventilateur à la terre.

Brancher le fil relié à la terre au fil vert et jaune relié à la terre dans la boîte de la borne.

Le non-respect de ces instructions peut causer un décès ou un choc électrique.

4. Connecter le conducteur de liaison à la terre (vert ou nu) du câble d'alimentation du domicile au conducteur de liaison à la terre verts-jaunes (D) dans la boîte de connexion avec des connecteurs de fils (homologation UL).
5. Installer le couvercle du boîtier de connexion.
6. Réinstaller le support arrière.
7. Réinstaller les 2 supports latéraux.
8. Vérifier que toutes les ampoules d'éclairage sont bien fixées dans leur douille.
9. Reconnecter la source de courant électrique.

Installations avec décharge à l'extérieur seulement :

- Raccorder le circuit d'évacuation à la hotte. Assurer l'étanchéité et la solidité des jointures avec des brides pour conduits.

Achever l'installation

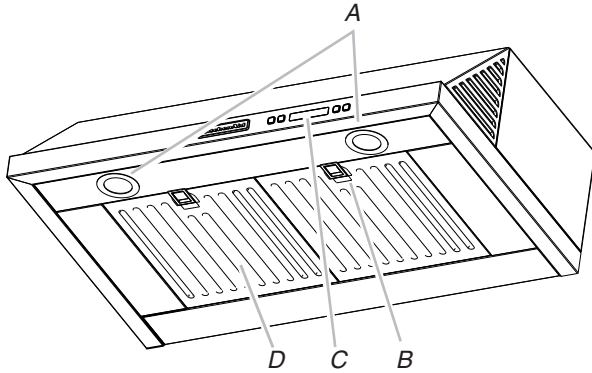
1. Réinstaller les filtres à graisse. Voir la section "Entretien de la hotte".
2. Contrôler le fonctionnement du ventilateur de la hotte et de la lampe. Voir la section "Utilisation de la hotte".
Si la hotte ne fonctionne pas, déterminer si un disjoncteur s'est ouvert ou si un fusible du domicile est grillé.
Déconnecter la source de courant électrique et inspecter les connexions du câblage.

REMARQUE : Pour pouvoir tirer le plus grand parti de la nouvelle hotte de cuisinière, lire la section "Utilisation de la hotte".

UTILISATION DE LA HOTTE

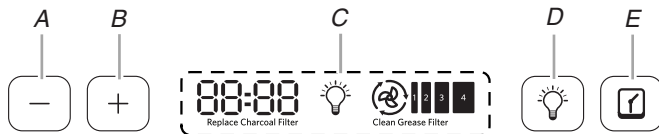
La hotte de cuisinière est conçue pour extraire fumée, vapeurs de cuisson et odeurs de la zone de la table de cuisson. Pour obtenir les meilleurs résultats, mettre le ventilateur de la hotte en marche avant d'entreprendre une cuisson, et laisser le ventilateur fonctionner pendant plusieurs minutes après l'achèvement d'une cuisson pour pouvoir évacuer de la cuisine toute trace de fumée ou d'odeurs de cuisson.

Les commandes de la hotte sont situées au centre de celle-ci.



- A. Logements des lampes à halogène
- B. Poignée du plateau à graisse
- C. Commandes du ventilateur et de l'éclairage
- D. Filtre à graisse

Tableau de commande



- A. Diminution de la puissance
- B. Augmentation de la puissance
- C. Affichage
- D. Éclairage
- E. Minuterie

Affichage

Alarme de saturation du filtre à graisse

Après 30 heures de fonctionnement du ventilateur, l'affichage indique "Clean Grease Filter" (nettoyer le filtre à graisse) lorsque le ventilateur est activé. Lorsque cette icône apparaît sur l'affichage, les filtres à graisse installés doivent être lavés. Voir la section "Entretien de la hotte".

- Pour réinitialiser l'alarme de saturation du filtre à graisse, appuyer sur le bouton Power Increase (augmentation de la puissance) pendant 5 secondes. L'icône "Clean Grease Filter" (nettoyer le filtre à graisse) disparaît de l'affichage.

Alarme de saturation du filtre à charbon

Après 120 heures de fonctionnement du ventilateur, l'affichage indique "Replace Charcoal Filter" (remplacer le filtre à charbon) lorsque le ventilateur est activé. Lorsque cette icône apparaît sur l'affichage, les filtres à charbons doivent être remplacés. Voir la section "Entretien de la hotte".

- Pour réinitialiser l'alarme de saturation du filtre à charbon, appuyer sur le bouton Power Decrease (diminution de la puissance) pendant 5 secondes. L'icône "Replace Charcoal Filter" (remplacer le filtre à charbon) disparaît de l'affichage.

Activation et désactivation du signal sonore

Les signaux sonores peuvent être activés ou désactivés en appuyant sur le bouton "Light" (éclairage) pendant 5 secondes.

- Si le signal sonore a été activé, un signal sonore retentit et le symbole "Snd" (son) apparaît sur l'affichage pendant 3 secondes.
- Si le signal sonore a été désactivé, le symbole "Snd" (son) apparaît sur l'affichage pendant 3 secondes.

Inclusion et exclusion du filtre à charbon (accessoire de recyclage)

Lorsque le filtre à charbon est en cours d'utilisation, (mode recyclage), appuyer sur les boutons Power Decrease et Power Increase en même temps pendant 5 secondes. "Able" s'affiche pendant 3 secondes.

Lorsque le filtre à charbon n'est pas utilisé (mode ventilation), appuyer sur les boutons Power Decrease et Power Increase en même temps pendant 5 secondes. "None" s'affiche pendant 3 secondes.

- Lorsque le filtre à charbon a été exclu, l'alarme de filtre à charbon est désactivée.
- L'inclusion ou l'exclusion du filtre à charbon doit être sélectionnée pendant que l'éclairage et le moteur de ventilateur sont éteints.

Capteur de chaleur

Le module de commande est équipé d'un capteur de chaleur qui met le ventilateur en marche à la vitesse maximale si la température autour de la zone du module de commande est excessive.

- Que le ventilateur soit activé ou non, il est automatiquement réglé à la vitesse maximale. "Auto" apparaît sur l'affichage pour indiquer que le capteur de chaleur a détecté un niveau de chaleur excessif.
- Lorsque le ventilateur fonctionne en raison d'un niveau de chaleur excessif détecté par le capteur de chaleur, il n'est pas possible de réduire la vitesse du ventilateur.
- Lorsque le niveau de température de la hotte retombe à un niveau normal, le ventilateur retourne au réglage qui avait été effectué avant que le niveau de chaleur excessif ne soit détecté.

Éclairage

Fonctionnement de l'éclairage :

1. Appuyer sur le bouton Light (éclairage) pour mettre la lumière au niveau d'éclairage fort.
 2. Appuyer de nouveau sur le bouton Light (éclairage) pour mettre la lumière au niveau d'éclairage faible.
 3. Appuyer sur le bouton Light une troisième fois pour éteindre la lumière.
-

Minuterie

La minuterie peut être réglée pour une période allant de 1 à 60 minutes. Le réglage par défaut de la minuterie est de 10 minutes.

Utilisation de la minuterie :

1. Appuyer sur le bouton Timer (minuterie) pour accéder au mode minuterie. Après 5 secondes, la durée par défaut est automatiquement sélectionnée.
2. Appuyer sur les boutons Power Decrease et Power Increase pendant que l'affichage clignote (pendant 5 secondes) pour ajuster la durée souhaitée. S'il l'on appuie de nouveau sur le bouton de la minuterie ou que l'on attend 5 secondes après avoir sélectionné la durée souhaitée, le compte à rebours de la minuterie commence.
3. La minuterie peut être annulée à tout moment en appuyant de nouveau sur le bouton de la minuterie.

REMARQUE : Pendant le réglage de la minuterie, les boutons Power Decrease and Power Increase sont réservés à la minuterie. Après la mise en route de la minuterie, les boutons Power Decrease et Power Increase peuvent être utilisés pour d'autres fonctions.

Vitesse du ventilateur

Power Increase/On (augmentation de la puissance/activé)

Ce bouton sert à mettre en marche le ventilateur ou à augmenter la vitesse du ventilateur.

- Le ventilateur se met en marche si l'on appuie sur le bouton Power Increase et que la hotte est désactivée.
 - Un signal sonore retentit lorsque le ventilateur atteint sa vitesse maximale.
-

Power Decrease/Off (diminution de la puissance/désactivé)

- Ce bouton sert à éteindre le ventilateur ou à diminuer la vitesse du ventilateur.
-

Ventilateur minuté désactivé

Le système de commande comporte une caractéristique "Timed Fan Off" (ventilateur minuté désactivé). Lorsque la minuterie est activée, elle commande l'arrêt automatique du ventilateur après 10 minutes.

- Appuyer sur le bouton Timer (minuterie) pendant 5 secondes pour activer la minuterie. L'icône du ventilateur clignote et l'afficheur présente 10:00 (10 minutes). Le décompte débute ensuite après 3 secondes.

ENTRETIEN DE LA HOTTE

Nettoyage

IMPORTANT : Nettoyer fréquemment la hotte et les filtres à graisse en suivant les instructions suivantes. Réinstaller les filtres à graisse avant de faire fonctionner la hotte.

Surfaces externes :

Afin d'éviter d'endommager la surface externe, ne pas utiliser de tampons en laine d'acier ou de tampons à récurer savonneux.

Toujours essuyer pour éviter de laisser des marques d'eau.

Méthode de nettoyage :

- Savon détergent liquide et eau, ou produit de nettoyage polyvalent.
- Frotter avec un chiffon doux humide ou une éponge non abrasive, puis rincer avec de l'eau propre et essuyer.

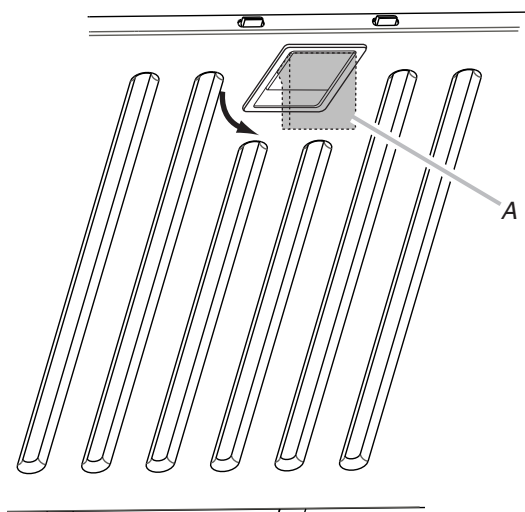
Filtre à graisse métallique

Les filtres doivent être lavés fréquemment. Placer les filtres métalliques dans un lave-vaisselle ou une solution de détergent chaude.

Laisser sécher le filtre complètement avant de le réinstaller.

Éteindre le ventilateur et les lampes. Laisser refroidir la lampe à halogène.

1. Retirer chaque filtre en tirant sur la poignée à ressort, puis en tirant le filtre vers le bas.



A. Poignée à ressort

2. Laver les filtres métalliques selon le besoin au lave-vaisselle ou avec une solution de détergent chaude.
3. Réinstaller le filtre en s'assurant que les poignées à ressort sont orientées vers l'avant. Insérer le filtre à graisse métallique dans la rainure supérieure.
4. Tirer vers le bas la poignée à ressort.
5. Pousser le filtre métallique vers le haut et relâcher la poignée pour l'emboîter.
6. Répéter les étapes 1 à 5 pour l'autre filtre.

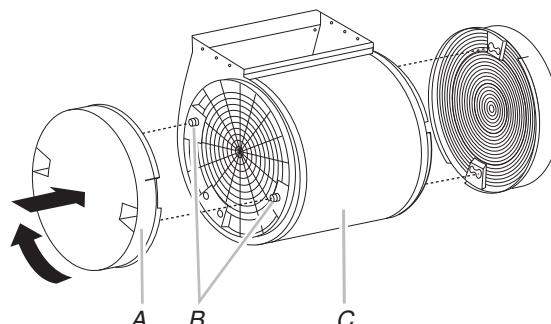
Filtres d'installation sans décharge à l'extérieur (recyclage)

Le filtre à charbon n'est pas lavable. Celui-ci devrait durer pendant six mois maximum dans des conditions d'utilisation normales.

Remplacer par l'ensemble de filtre à charbon numéro W10272068.

Remplacement du filtre à charbon :

1. Placer le filtre à charbon sur la grille protégeant le moteur du ventilateur de façon à ce que les encoches du filtre correspondent aux tiges situées sur les côtés de la grille de protection du moteur.



A. Filtre à charbon

B. Tiges

C. Moteur du ventilateur

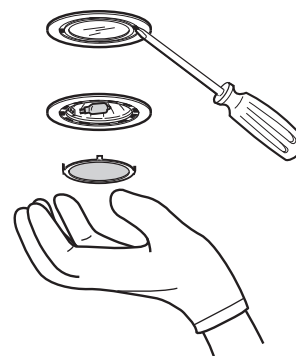
2. Faire pivoter le filtre à charbon dans le sens horaire pour l'emboîter.
3. Répéter les étapes 1 à 2 pour l'autre filtre.

Remplacement d'une lampe à halogène

Éteindre la hotte; attendre le refroidissement de la lampe à halogène. Pour éviter d'endommager ou de réduire la longévité de la lampe neuve, ne pas toucher la lampe avec les doigts nus. Remplacer la lampe en la manipulant avec un mouchoir de papier ou des gants de coton.

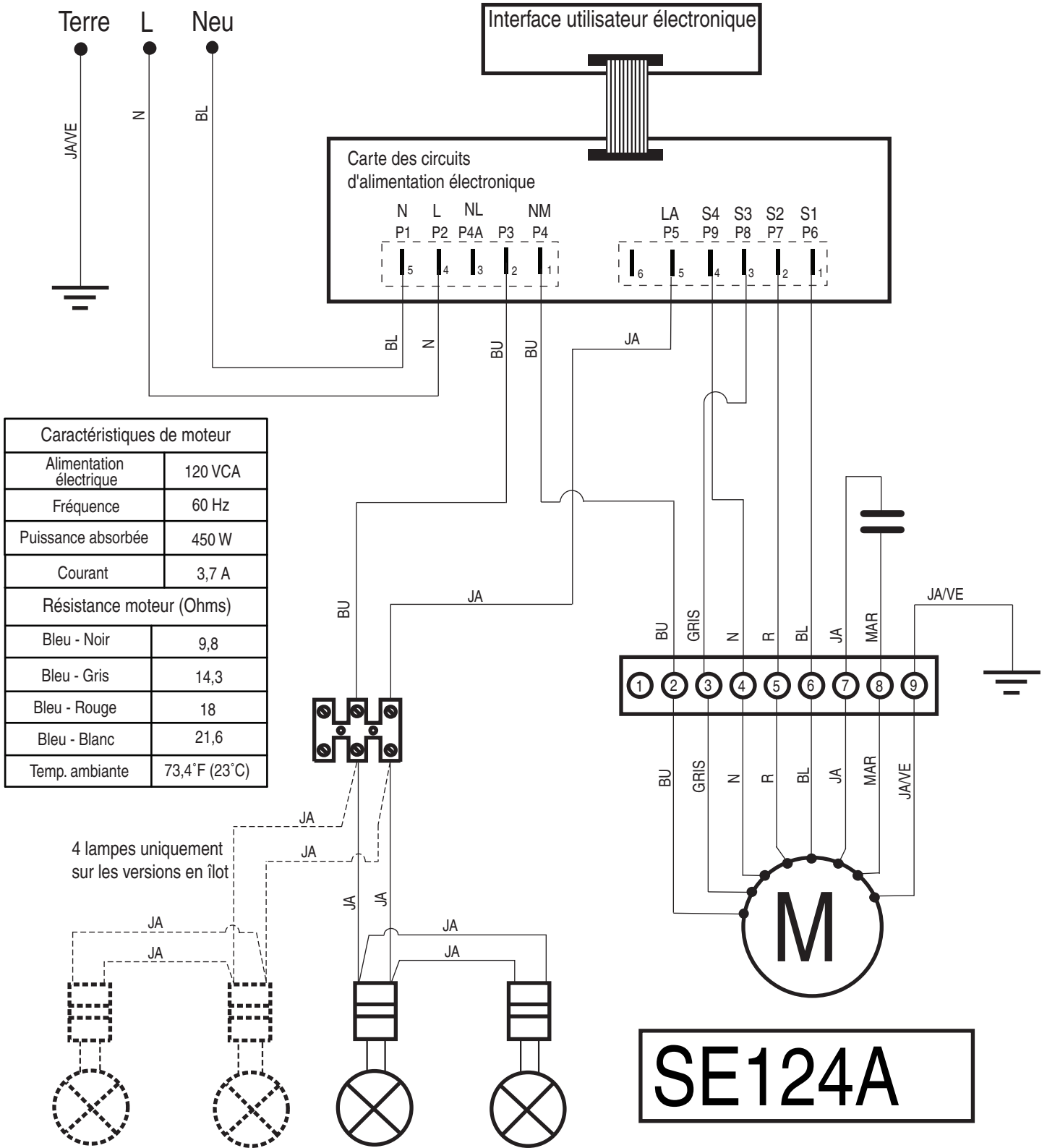
Si les nouvelles lampes ne fonctionnent pas, vérifier que chaque lampe est correctement insérée dans sa douille avant de demander l'intervention d'un réparateur.

1. Déconnecter la source de courant électrique.
2. À l'aide d'un tournevis à lame plate, dégager doucement le protège-lampe.



3. Enlever la lampe. Installer une lampe à halogène neuve de 120 V/40 W maximum, à culot de type G-9.
4. Réinstaller le protège-lampe.
5. Reconnecter la source de courant électrique.

SCHÉMA DE CÂBLAGE



Caractéristiques de moteur	
Alimentation électrique	120 VCA
Fréquence	60 Hz
Puissance absorbée	450 W
Courant	3,7 A
Résistance moteur (Ohms)	
Bleu - Noir	9,8
Bleu - Gris	14,3
Bleu - Rouge	18
Bleu - Blanc	21,6
Temp. ambiante	73,4°F (23°C)

ASSISTANCE OU SERVICE

Lors d'un appel pour assistance ou service, veuillez connaître la date d'achat, le numéro de modèle et le numéro de série complets de l'appareil. Ces renseignements nous aideront à mieux répondre à votre demande.

Si vous avez besoin de pièces de rechange

Si vous avez besoin de commander des pièces de rechange, nous vous recommandons d'employer uniquement les pièces spécifiées par l'usine. Les pièces spécifiées par l'usine conviendront et fonctionneront bien parce qu'elles sont fabriquées avec la même précision utilisée dans la fabrication de chaque nouvel appareil. Pour localiser les pièces spécifiées par l'usine dans votre région, nous appeler ou téléphoner au centre de service désigné le plus proche.

Au Canada

Veuillez appeler sans frais le Centre pour l'expérience de la clientèle de KitchenAid Canada au : **1-800-807-6777** ou visitez notre site web à **www.kitchenaid.ca**.

Nos consultants vous renseigneront sur les sujets suivants :

- Caractéristiques et spécifications sur toute notre gamme d'appareils électroménagers.
- Consignes d'utilisation et d'entretien.
- Vente d'accessoires et de pièces de rechange.

- Références aux marchands locaux, aux distributeurs de pièces de rechange et aux compagnies de service. Les techniciens de service désignés par KitchenAid Canada sont formés pour remplir la garantie des produits et fournir un service après la garantie, partout au Canada.

Pour plus d'assistance

Si vous avez besoin de plus d'assistance, vous pouvez soumettre par écrit toute question ou préoccupation à KitchenAid Canada à l'adresse suivante :

Centre pour l'expérience de la clientèle
KitchenAid Canada
200 - 6750 Century Ave.
Mississauga, Ontario L5N 0B7

Veuillez inclure dans votre correspondance un numéro de téléphone où l'on peut vous joindre dans la journée.

Accessoires

Filtre à charbon de rechange (Ensemble de 2 filtres)

(pour les installations sans décharge à l'extérieur seulement)
Pièce numéro W10272068

Ensemble d'air de compensation de 3¼" x 10" (8,3 x 25,4 cm)

(consulter le code du bâtiment local)

Commander la pièce numéro W10446914

GARANTIE DU SYSTÈME DE VENTILATION KITCHENAID®

GARANTIE LIMITÉE

Pendant un an à compter de la date d'achat, lorsque ce gros appareil ménager est utilisé et entretenu conformément aux instructions jointes à ou fournies avec le produit, la marque KitchenAid de Whirlpool Corporation ou Whirlpool Canada LP (ci-après désignées "KitchenAid") paiera pour les pièces spécifiées par l'usine et la main-d'œuvre pour corriger les vices de matériaux ou de fabrication. Le service doit être fourni par une compagnie de service désignée par KitchenAid. Cette garantie limitée est valide uniquement aux États-Unis ou au Canada et s'applique exclusivement lorsque l'appareil est utilisé dans le pays où il a été acheté. À l'extérieur du Canada et des 50 États des États-Unis, cette garantie limitée ne s'applique pas. Une preuve de la date d'achat original est exigée pour obtenir un service dans le cadre de la présente garantie limitée.

ARTICLES EXCLUS DE LA GARANTIE

La présente garantie limitée ne couvre pas :

1. Les visites de service pour rectifier l'installation du gros appareil ménager, montrer à l'utilisateur comment utiliser l'appareil, remplacer ou réparer des fusibles ou rectifier le câblage ou la plomberie du domicile.
2. Les visites de service pour réparer ou remplacer les ampoules électriques de l'appareil, les filtres à air ou les filtres à eau. Les pièces consommables ne sont pas couvertes par la garantie.
3. Les réparations lorsque le gros appareil ménager est utilisé à des fins autres que l'usage unifamilial normal ou lorsque les instructions d'installation et/ou les instructions de l'opérateur ou de l'utilisateur fournies ne sont pas respectées.
4. Les dommages imputables à : accident, modification, usage impropre ou abusif, incendie, inondation, actes de Dieu, installation fautive ou installation non conforme aux codes d'électricité ou de plomberie, ou l'utilisation de pièces consommables ou de produits nettoyants non approuvés par KitchenAid.
5. Les défauts apparents, notamment les éraflures, les bosses, fissures ou tout autre dommage au fini du gros appareil ménager, à moins que ces dommages soient dus à des vices de matériaux ou de fabrication et soient signalés à KitchenAid dans les 30 jours suivant la date d'achat.
6. Les coûts associés au transport du gros appareil ménager du domicile pour réparation. Ce gros appareil ménager est conçu pour être réparé à domicile et seul le service à domicile est couvert par la présente garantie.
7. Les réparations aux pièces ou systèmes résultant d'une modification non autorisée faite à l'appareil.
8. Les frais de transport pour le service d'un produit si votre gros appareil est situé dans une région éloignée où un service d'entretien KitchenAid autorisé n'est pas disponible.
9. La dépose et la réinstallation de votre gros appareil si celui-ci est installé dans un endroit inaccessible ou n'est pas installé conformément aux instructions d'installation fournies.
10. Les gros appareils ménagers dont les numéros de série et de modèle originaux ont été enlevés, modifiés ou qui ne peuvent pas être facilement identifiés. La présente garantie est nulle si le numéro de série d'usine a été modifié ou enlevé du gros appareil ménager.

Le coût d'une réparation ou d'un remplacement dans le cadre de ces circonstances exclues est à la charge du client.

CLAUSE D'EXONÉRATION DE RESPONSABILITÉ AU TITRE DES GARANTIES IMPLICITES; LIMITATION DES RECOURS

LE SEUL ET EXCLUSIF RECOURS DU CLIENT DANS LE CADRE DE LA PRÉSENTE GARANTIE LIMITÉE CONSISTE EN LA RÉPARATION PRÉVUE CI-DESSUS. LES GARANTIES IMPLICITES, Y COMPRIS LES GARANTIES APPLICABLES DE QUALITÉ MARCHANDE ET D'APTITUDE À UN USAGE PARTICULIER, SONT LIMITÉES À UN AN OU À LA PLUS COURTE PÉRIODE AUTORISÉE PAR LA LOI. KITCHENAID N'ASSUME AUCUNE RESPONSABILITÉ POUR LES DOMMAGES FORTUITS OU INDIRECTS. CERTAINES JURIDICTIONS NE PERMETTENT PAS L'EXCLUSION OU LA LIMITATION DES DOMMAGES FORTUITS OU INDIRECTS, OU LES LIMITATIONS DE LA DURÉE DES GARANTIES IMPLICITES DE QUALITÉ MARCHANDE OU D'APTITUDE À UN USAGE PARTICULIER, DE SORTÉ QUE CES EXCLUSIONS OU LIMITATIONS PEUVENT NE PAS S'APPLIQUER DANS VOTRE CAS. CETTE GARANTIE VOUS CONFÈRE DES DROITS JURIDIQUES SPÉCIFIQUES ET VOUS POUVEZ ÉGALEMENT JOUIR D'AUTRES DROITS QUI PEUVENT VARIER D'UNE JURIDICTION À UNE AUTRE.

Si vous résidez à l'extérieur du Canada et des 50 États des États-Unis, contactez votre marchand KitchenAid autorisé pour déterminer si une autre garantie s'applique.

Si vous avez besoin de service, voir d'abord la section "Dépannage" du Guide d'utilisation et d'entretien. Après avoir vérifié la section "Dépannage", de l'aide supplémentaire peut être trouvée en vérifiant la section "Assistance ou service" ou en appelant KitchenAid. Aux É.-U., composer le **1-800-422-1230**. Au Canada, composer le **1-800-807-6777**. 4/09

Conservez ce manuel et votre reçu de vente ensemble pour référence ultérieure. Pour le service sous garantie, vous devez présenter un document prouvant la date d'achat ou d'installation.

Inscrivez les renseignements suivants au sujet de votre gros appareil ménager pour mieux vous aider à obtenir assistance ou service en cas de besoin. Vous devrez connaître le numéro de modèle et le numéro de série au complet. Vous trouverez ces renseignements sur la plaque signalétique située sur le produit.

Nom du marchand _____

Adresse _____

Numéro de téléphone _____

Numéro de modèle _____

Numéro de série _____

Date d'achat _____

